

SHANGHAI

Bestway Inflatables & Material Corp.
No. 208 Jin Yuan Wu Road,
Shanghai, 201812, China
Tel: 86 21 6913 5588
E-mail: info@bestwaycorp.com

HONG KONG

Bestway (Hong Kong) International Ltd. Suite 713
7/Floor, East Wing, Tsim Sha Tsui Centre,
66 Mody Road, Kowloon, Hong Kong
Tel: 852 2997 7169
E-mail: info@bestwaycorp.hk

U.S.A.

Bestway (USA) Inc.
3435 S. McQueen Road,
Chandler, AZ 85286, United States of America
Tel: 1 480 838 3888
E-mail: info@bestwaycorp.us

EUROPE

Bestway Europe S.p.a.
Via Resistenza, 5
20098 San Giuliano M.se (Mi), Italy
Tel: 39 02 9884 881
E-mail: info@bestwaycorp.eu

EASTERN EUROPE

Bestway Eastern Europe Sp. z o.o.
Ul. Ekologiczna 24
05-080 Kludyn Poland
Tel: 48 22 60 22 508
E-mail: info@bestwaycorp.pl

LATIN AMERICA

Bestway Central & South America Ltda
Salar Ascotan 1282, Parque Enea,
Pudahuel, Santiago, Chile
Tel: 562 3203 6438
E-mail: info@bestwaycorp.lat

BRAZIL

Bestway Brazil
Av Cerro Azul, 2783 Maringá - PR - Brazil
Zip Code: 87010-055
Tel: 55 44 3046 2950 / 0800 001 8400
E-mail: info@bestwaycorp.com.br

AUSTRALIA

Bestway Australia Pty Limited
Unit 2/98-104 Carnarvon St
Silverwater, NSW 2128, Australia
Tel: 61 2 9037 1388
E-mail: info@bestwaycorp.com.au

FRANCE

Bestway France Sarl
1681 route des Dolines
Les Taissounières - Belem
06560 VALBONNE
Tel: 33 4 97 04 92 99
E-mail: info@bestwaycorp.fr

GERMANY

Bestway Deutschland GmbH
Parkstraße 11
24534 Neumünster, Germany
Tel: 49 4321 555 05 - 0
E-mail: info@bestwaycorp.de

SCANDINAVIA

Bestway Scandinavia A/S
Amagertorv 17, 3rd Fl
DK-1160 Copenhagen K Denmark
Tel: 45 78744569
E-mail: info@bestwayscandinavia.eu

Bestway



WWW.BESTWAYCORP.COM

©2022 Bestway Inflatables & Material Corp. All rights reserved.
©™ Trademarks owned and managed by Bestway Inflatables & Material Corp.



LAY-Z-SPA. 2023



Bestway

LAY-Z-SPA[®]
2023 CATALOG

Bestway

Bestway®

2023 CATALOG COLLECTION

Enjoy our extensive collection of products in our six catalogs.

- Above Ground Pools
- Air Mattresses
- Spa
- Summer & License
- Watersports
- Camping Gear*
Only available for INTL

Digital Catalogs

Easily access all of our catalogs while on the go. Ask your Sales Rep for the link to our catalog website, and Bestway® products can be right at your fingertips!

- View the latest catalogs
- Quickly flip through and find any product
- Check out product details, photos and even videos





VISION & MISSION

Since 1994, our vision has been to create fun, memorable experiences for everyone in the world through our innovative, dependable products.

Now, just over 25 years later, **Bestway** has forged a global presence in more than 100 countries by developing an extensive product line and becoming forward thinkers about sustainable business practices. Today, we manufacture and sell more than 1,100 different products within four core categories: above ground pools and portable spas, recreational products, sporting goods, and camping products.

SERVICE

Bestway is committed to customer satisfaction and providing you with the best product solutions. That's why every department in Bestway works closely together - from our technology and quality assurance centers to our laboratories, vertically integrated manufacturing systems and after-sales service centers around the globe.

Bestway's advanced online services and regional call centers allow customers to easily resolve issues that arise with their products, offering downloadable manuals, instructional videos, and 24/7 call support.



GLOBAL FACTORIES



AROUND THE WORLD





LAY-Z-SPA®

Nearly a decade of advanced engineering and innovations have built a global name people know and trust: Lay-Z-Spa®.

Lay-Z-Spa offers an affordable spa experience that's convenient to use, easy to set up and offers total relaxation.

Backed by the Bestway® customer service team, consumers can enjoy peace of mind while relaxing in their new spa.

With different massage technologies, a Lay-Z-Spa offers the ultimate in rest and relaxation.



CONTENTS

AIRJET™

| | | | | | | | |
|--------------------------------|-------------------------------|-------------------------------|-----------------------------|---------------------------------|------------------------------|-------------------------------|--------------------------------|
| ST. LUCIA 60037 pg 22-25 | MIAMI 60001 pg 26-29 | BAHAMAS 60005 pg 30-33 | FIJI 60085 pg 34-37 | HAVANA 60035 pg 38-41 | BORACAY 60175 pg 42-45 | IBIZA 60015 pg 46-49 | HOLLYWOOD 60059 pg 50-53 |
| ZURICH 60065 pg 54-57 | BUDAPEST 60179 pg 58-61 | HONOLULU 60019 pg 62-65 | HAWAII 60021 pg 66-69 | ST. MORITZ 60023 pg 70-73 | GRENADA 60135 pg 74-77 | HELSINKI 60025 pg 78-81 | |

AIRJET PLUS™

| | |
|----------------------------|--------------------------------|
| MILAN 60029 pg 84-87 | VANCOUVER 60027 pg 88-91 |
|----------------------------|--------------------------------|

HYDROJET PRO™

| | | |
|--------------------------------|--------------------------------|--------------------------------------|
| SANTORINI 60075 pg 94-97 | MALDIVES 60033 pg 98-101 | SAN FRANCISCO 60161 pg 102-105 |
|--------------------------------|--------------------------------|--------------------------------------|

XTRAS

| | | | | | | |
|--|--|--------------------------|--|--------------------------------------|---|--|
| UNDERWATER VACUUM 60323 pg 108 | RECHARGEABLE UNDERWATER VACUUM 60313 pg 109 | PILLOW 60307 pg 110 | PADDED PILLOW 60316 pg 110 | SPA SEAT 60321 pg 111 | SOOTHING LED WATERFALL 60322 pg 112 | 7-COLOR LED LIGHT 60303 pg 113 |
| DRINK HOLDER 60306 pg 113 | CANOPY 60304 pg 114 | DOME 60305 pg 115 | ALL IN ONE TOOL SET 60310 pg 116 | FLOOR PROTECTOR 60309 pg 117 | POOL & SPA TEST STRIPS 58142 pg 117 | FILTER CARTRIDGE (VI) 60311 pg 117 |



PRODUCT TECHNOLOGY

THE ORIGINAL PREMIUM PORTABLE SPA™

As a leading manufacturer of the inflatable, portable hot tub, Lay-Z-Spa® has become an industry staple that consumers know and trust. From technological innovations to style, Lay-Z-Spa leads the market. High-functioning components and safety are the main priorities of the spa line, providing consumers with products they can depend on.

FREEZE SHIELD™ TECHNOLOGY ❄️

COMFORT IN THE COLD
Freeze Shield™ successfully equips the spa for year-round, all-weather use. Designed with innovative winterizing technology and an improved material, these spas automatically increase water circulation and heating when temperatures are low to prevent the inner parts from becoming damaged.

GROUND DETECTION SYSTEM ⚡

With safety as a priority, every spa is equipped with our advanced, market-leading Ground Detection System, which continuously monitors the energy supply to ensure it is being used safely. If the system detects an issue, the pump alerts the user and does not allow further use until the power supply is correctly earthed.

THERMAL INSULATION

HIGH ENERGY-EFFICIENCY, LOW ELECTRIC BILL
The EnergySense™ thermal covers and liners retain more heat than PVC material alone. This allows the spa to heat up faster and stay hotter longer, leading to as much as 40% higher energy-efficiency.



HIGH-TECH COMPONENTS AND DECREASED NOISE

EFFICIENT • DURABLE • SAFE
The internal pump components are designed to work efficiently, while reducing the noise level as much as possible during use. Engineered with a new rotor and blade, our pumps are specifically designed to have a soft internal connection, reducing the noise.

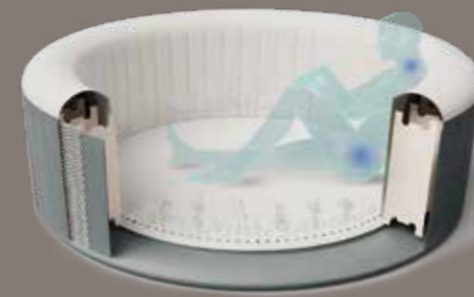
ADVANCED HEATING SYSTEM

By using advanced materials to create our heating mechanism, including aluminum alloys and ceramic, we ensure efficient temperature control. The internal structure is protected by six layers of insulation to prevent electrical damage, ensuring safe use every time.



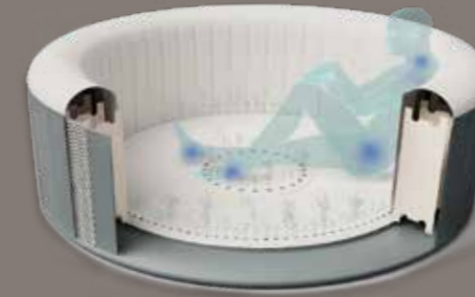


MASSAGE TECHNOLOGY



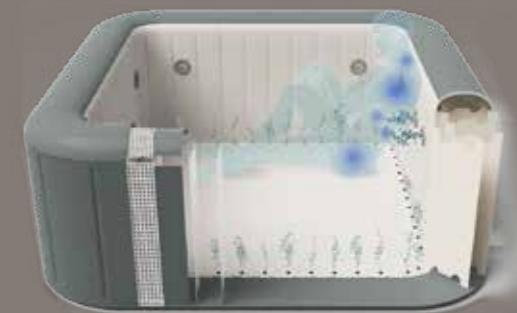
AIRJET™ SYSTEM

Soothe your body and relax your mind with the touch of a button! The AirJets work by releasing warm air into the water, surrounding you with a calming bubble massage.



AIRJET PLUS™ SYSTEM

Enjoy a deeper massage with AirJet Plus! Air bubbles are released from both the bottom and the sidewalls of the spa to target both the legs and back.



HYDROJET PRO™ SYSTEM

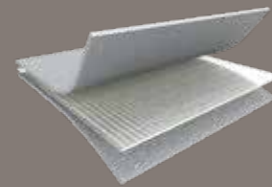
HydroJet Pro is the best of both worlds! Adjustable nozzles along the inside walls of the spa release soothing jetstreams of water, while jets along the bottom release a calming flow of air bubbles specifically targeting your feet and back.

MATERIAL TECHNOLOGY

DURAPLUS™ 3-PLY

DURABLE COMFORT

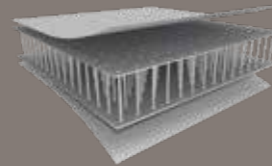
The Duraplus material applied on the outer walls is designed with longevity in mind – 3 layers of polyester mesh and PVC. The multi-layer design prevents stretching, and ensures durability and resilience, no matter how often the spa is used.



DROP STITCH MATERIAL

LIGHTWEIGHT DURABILITY

Inflated walls made from drop stitch material provide unparalleled strength. Thousands of fine threads securely connect the sidewalls, which seal in air to create a rigid and sturdy spa. Not only great for durability, but this also makes the spa more spacious on the inside.



BEAM CONSTRUCTION

DELIVERING STRENGTH AND COMFORT

The internal construction of each spa is designed to offer superior structural stability while still maintaining a comfortable surface. It always provides a luxurious spa experience, no matter how many times it's inflated or deflated.





SMART HUB™ APP



HEAT CONTROL

Create, save and edit multiple timers to apply the perfect temperature anytime throughout the week



SET TIMER

Set the Power Saving Timer to only run the system during the selected times



FILTRATION

Allows for multiple timers to be created for water filter activation



MASSAGE SETTINGS

Run the massage system with the touch of a button



MASSAGE REGULATION

A special feature on some spas allows the user to choose from two massage bubble intensity levels, giving them control over their relaxation experience

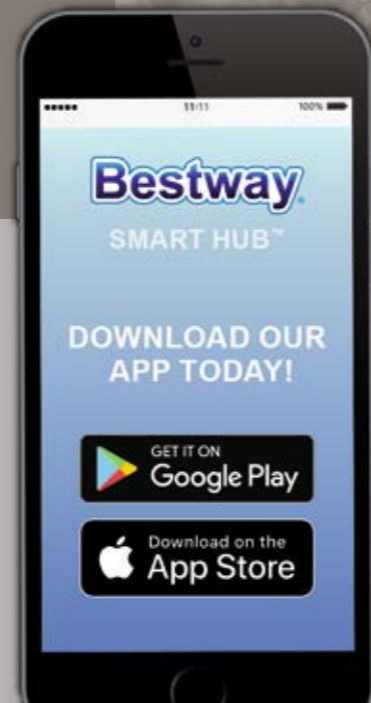


APP CONNECTION

DELIVERING STRENGTH AND COMFORT With the Bestway Smart Hub™ app, control is right in the palm of your hand. This innovation makes the Lay-Z-Spa one of the most convenient in the market. Compatible with smart devices, the Spa Control section of the app lets you control the spa's temperature, activate the Power Saving Timer, change the water filter and control the massage system with just the touch of a button!

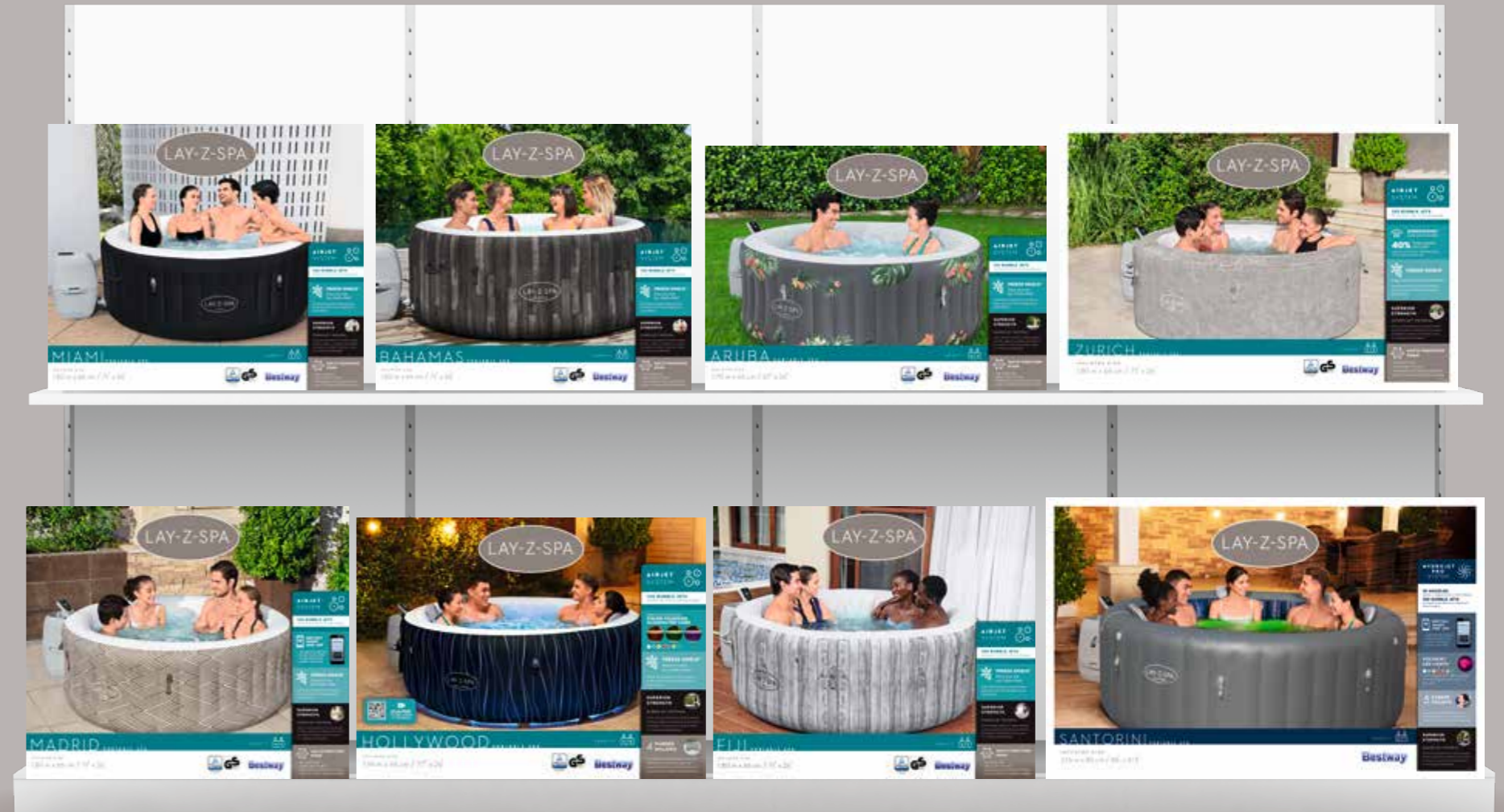
QUICK SET-UP

- 1 DOWNLOAD THE BESTWAY SMART HUB™ APP
- 2 CLICK ON SPA
- 3 FOLLOW THE SET UP INSTRUCTIONS



PLANOGRAM

PACKAGING NOT TO SCALE



2023 LAY-Z-SPA COLLECTION



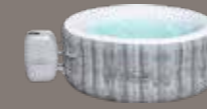
ST. LUCIA
60037



MIAMI
60001



BAHAMAS
60005



FIJI
60085



HAVANA
60035



BORACAY
60175



IBIZA
60015



HOLLYWOOD
60059



ZURICH
60065



BUDAPEST
60179

| | | | | | | | | | | | |
|---------------------|-------------------------------|-------------------------------|-------------------------------|-------------------------------|--|-------------------------------|-------------------------------|--|-------------------------------|-------------------------------|-------------------------------|
| CAPACITY | 2-3 ADULTS | 2-4 ADULTS | 2-4 ADULTS | 2-4 ADULTS | | 2-4 ADULTS | 2-4 ADULTS | 4-6 ADULTS | 4-6 ADULTS | 2-4 ADULTS | 4-6 ADULTS |
| INFLATED SIZE | 1.70 m x 66 cm (67" x 26") | 1.80 m x 66 cm (71" x 26") | 1.80 m x 66 cm (71" x 26") | 1.80 m x 66 cm (71" x 26") | | 1.80 m x 66 cm (71" x 26") | 1.80 m x 66 cm (71" x 26") | 1.80 m x 1.80 m x 66 cm (71" x 71" x 26") | 1.96 m x 66 cm (77" x 26") | 1.80 m x 66 cm (71" x 26") | 1.96 m x 66 cm (77" x 26") |
| INNER SIZE | 1.24 m (49") | 1.32 m (52") | 1.32 m (52") | 1.32 m (52") | | 1.32 m (52") | 1.32 m (52") | 1.32 m x 1.32 m (52" x 52") | 1.48 m (58") | 1.32 m (52") | 1.48 m (58") |
| WATER CAPACITY | 605 L (160 GAL.) | 669 L (177 GAL.) | 669 L (177 GAL.) | 669 L (177 GAL.) | | 669 L (177 GAL.) | 669 L (177 GAL.) | 778 L (205 GAL.) | 908 L (240 GAL.) | 669 L (177 GAL.) | 908 L (240 GAL.) |
| NUMBER OF AIRJETS | 110 | 120 | 120 | 120 | | 120 | 120 | 140 | 140 | 120 | 140 |
| NUMBER OF HYDROJETS | — | — | — | — | | — | — | — | — | — | — |
| FEATURES | | | | | | | | | | | |



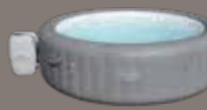
HONOLULU
60019



HAWAII
60021



ST. MORITZ
60023



GRENADA
60135



HELSINKI
60025



MILAN
60029



VANCOUVER
60027



SANTORINI
60075



MALDIVES
60033



SAN FRANCISCO
60161

| | | | | | | | | | | | |
|---------------------|-------------------------------|--|-------------------------------|-------------------------------|--|-------------------------------|-------------------------------|-------------------------------|---------------------------------|--|--|
| CAPACITY | 4-6 ADULTS | 4-6 ADULTS | 5-7 ADULTS | 6-8 ADULTS | | 5-7 ADULTS | 4-6 ADULTS | 3-5 ADULTS | 5-7 ADULTS | 5-7 ADULTS | 5-7 ADULTS |
| INFLATED SIZE | 1.96 m x 71 cm (77" x 28") | 1.80 m x 1.80 m X 71 cm (71" x 71" x 28") | 2.16 m x 71 cm (85" x 28") | 2.36 m x 71 cm (93" x 28") | | 1.80 m x 66 cm (71" x 26") | 1.96 m x 71 cm (77" x 28") | 1.55 m x 60 cm (61" x 24") | 2.16 m x 80 cm (85" x 31.5") | 2.01 m x 2.01 m x 80 cm (79" x 79" x 31.5") | 2.30 m x 2.30 m x 71 cm (90.5" x 90.5" x 28") |
| INNER SIZE | 1.46 m (57") | 1.30 m x 1.30 m (51" x 51") | 1.66 m (65") | 1.86 m (73") | | 1.70 m (67") | 1.46 m (57") | 1.45 m (57") | 1.66 m (65") | 1.51 m x 1.51 m (59" x 59") | 1.80 m x 1.80 m (71" x 71") |
| WATER CAPACITY | 916 L (242 GAL.) | 840 L (222 GAL.) | 1,190 L (314 GAL.) | 1,350 L (357 GAL.) | | 1,123 L (297 GAL.) | 916 L (242 GAL.) | 804 L (213 GAL.) | 1,190 L (314 GAL.) | 1,050 L (277 GAL.) | 1,180 L (312 GAL.) |
| NUMBER OF AIRJETS | 140 | 140 | 180 | 190 | | 180 | 140 | 140 | 180 | 180 | 180 |
| NUMBER OF HYDROJETS | — | — | — | — | | — | — | — | 10 | 8 | 10 |
| FEATURES | | | | | | | | | | | |

FEATURES KEY



SMART HUB™ APP



FREEZE SHIELD™



LED LIGHTS



FOOT MASSAGE



MASSAGE REGULATION



INTEGRATED SEATS



ENERGYSENSE™

AIRJET™ SYSTEM

FLOAT AWAY ON A CLOUD OF
BUBBLES WITH AN AIRJET MASSAGE.

Soothe your body and relax your mind with the
touch of a button.

Simply press the massage button on the control
panel, and the AirJet system will surround you
with calming bubbles.



AIRJET™
POSITIONING

COMBINATION
HEAT & AIR MASSAGE

MULTI-FUNCTION PUMP

The included spa pump is convenient
and accessible, complete with a new
digital interface and cup holders.
This pump inflates the spa, starts the
heating and massage systems, and can
activate the filtration system. The best
part is the new design now allows users
to adjust their needs without standing
up or exiting the spa.





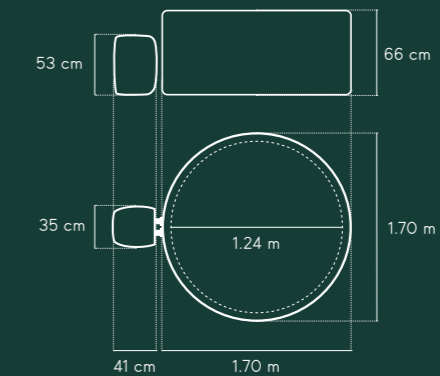
ST. LUCIA

60037

- Soothing AirJet™ bubble massage system (110 jets)
- Ultra-strong DuraPlus™ walls are stress-tested to offer durability
- Freeze Shield™ automatic heating prevents water from freezing & damaging the spa
- Program the spa heater up to 40 days in advance for future use
- ChemConnect™ dispenser provides a stable level of chlorine throughout the spa
- Power-saving, timer-controlled heating system
- Digital control panel & spa pump with integrated filtration system includes cup holders and is accessible from inside the spa
- Reinforced cover with safety lock clips

CONTENTS

1 spa, 1 pool cover, 1 spa pump, filter cartridge (VI), 1 ChemConnect™ dispenser, repair patch, AirJet™ system



ST. LUCIA

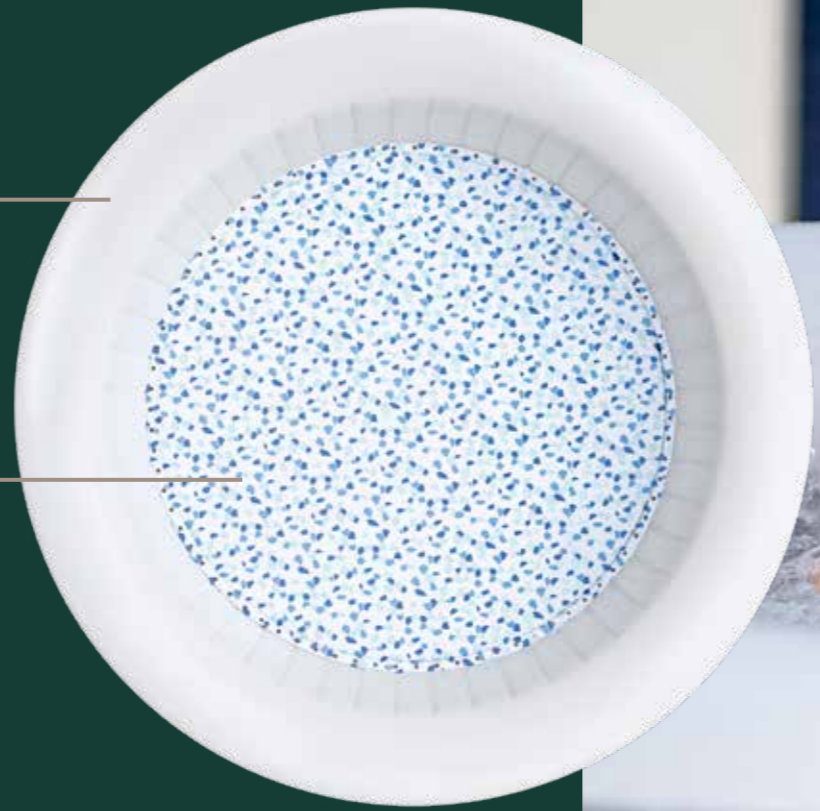
60037

DURAPLUS™ MATERIAL

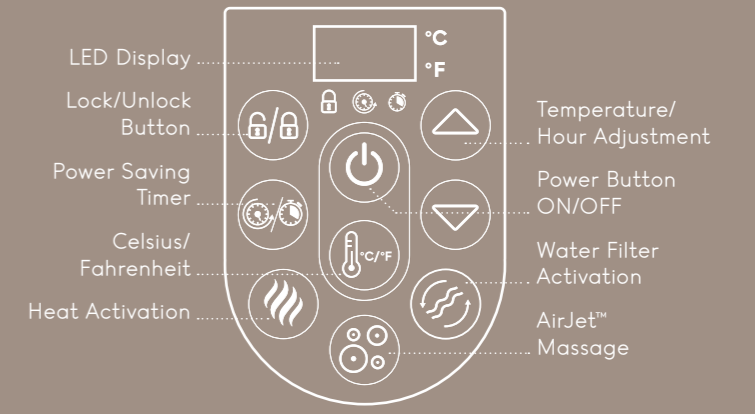
WALL AND TOP RING
 The outer surface of this spa is constructed with premium DuraPlus™ material, providing superior durability, stretch resistance and structural stability.

SPECIFICATIONS

- WATER CAPACITY 605 L (160 gal.)
- INFLATED SIZE 1.70 m x 66 cm (67" x 26")
- INNER SIZE 1.24 m (49")
- FILLED WEIGHT 630 kg (1,389 lbs)
- RATING 220-240V~ 50Hz, 2050W at 20°C (68°F)
- ACTUAL WATER FLOW 1,325 L/h (350 gal./h)
- HEATING SYSTEM..... Approx. 1.5-2.0°C/h (3-4°F/h)
- CERTIFICATION CE/GS
- PACK/GROSS WEIGHT 1 Ea., 32.41 kg (71.45 lbs)



DIGITAL CONTROL PANEL





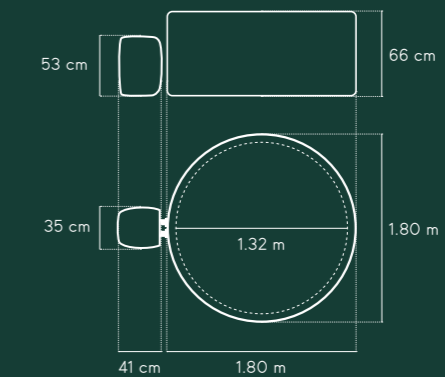
MIAMI

60001

- Soothing AirJet™ bubble massage system (120 jets)
- Ultra-strong DuraPlus™ walls are stress-tested to offer durability
- Freeze Shield™ automatic heating prevents water from freezing & damaging the spa
- Program the spa heater up to 40 days in advance for future use
- ChemConnect™ dispenser provides a stable level of chlorine throughout the spa
- Power-saving, timer-controlled heating system
- Digital control panel & spa pump with integrated filtration system includes cup holders and is accessible from inside the spa
- Reinforced cover with safety lock clips

CONTENTS

1 spa, 1 pool cover, 1 spa pump, filter cartridge (VI), 1 ChemConnect™ dispenser, repair patch, AirJet™ system



MIAMI

60001

DURAPLUS™ MATERIAL



WALL AND TOP RING
The outer surface of this spa is constructed with premium DuraPlus™ material, providing superior durability, stretch resistance and structural stability.



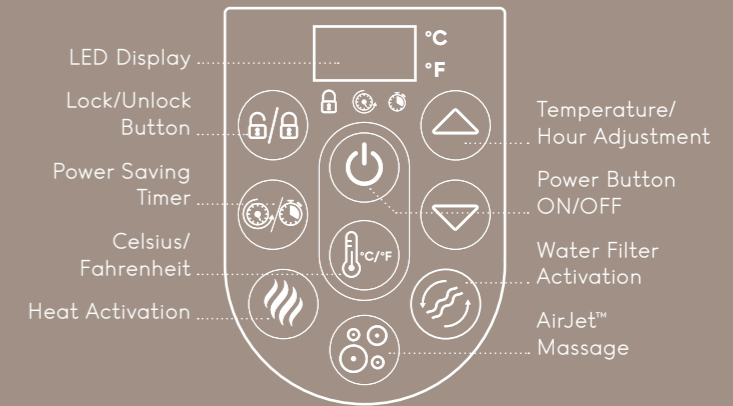
SPECIFICATIONS

WATER CAPACITY 669 L (177 gal.)
 INFLATED SIZE 1.80 m x 66 cm (71" x 26")
 INNER SIZE 1.32 m (52")
 FILLED WEIGHT 696 kg (1,534 lbs)
 RATING 220-240V~ 50Hz, 2050W at 20°C (68°F)
 ACTUAL WATER FLOW 1,325 L/h (350 gal./h)
 HEATING SYSTEM..... Approx. 1.5-2.0°C/h (3-4°F/h)
 CERTIFICATION CE/GS
 PACK/GROSS WEIGHT 1 Ea., 33.93 kg (74.80 lbs)



-  FREEZE SHIELD™
-  AIRJET™
MASSAGE SYSTEM
-  MULTI-FUNCTION
PUMP
-  CAPACITY
2-4 PEOPLE

DIGITAL CONTROL PANEL





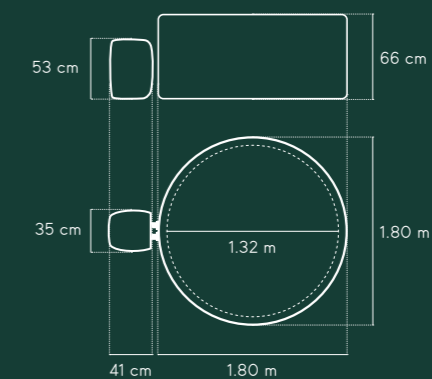
BAHAMAS

60005

- Soothing AirJet™ bubble massage system (120 jets)
- Ultra-strong DuraPlus™ walls are stress-tested to offer durability
- Freeze Shield™ automatic heating prevents water from freezing & damaging the spa
- Program the spa heater up to 40 days in advance for future use
- ChemConnect™ dispenser provides a stable level of chlorine throughout the spa
- Power-saving, timer-controlled heating system
- Digital control panel & spa pump with integrated filtration system includes cup holders and is accessible from inside the spa
- Reinforced cover with safety lock clips

CONTENTS

1 spa, 1 pool cover, 1 spa pump, filter cartridge (VI), 1 ChemConnect™ dispenser, repair patch, AirJet™ system



BAHAMAS

60005

DURAPLUS™ MATERIAL

WALL AND TOP RING
The outer surface of this spa is constructed with premium DuraPlus™ material, providing superior durability, stretch resistance and structural stability.

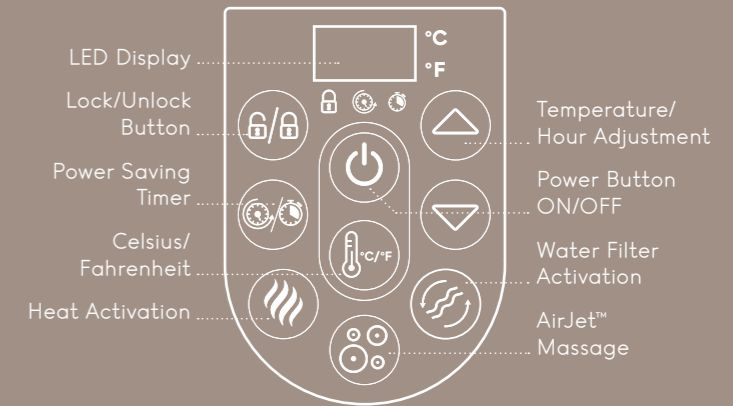


SPECIFICATIONS

- WATER CAPACITY 669 L (177 gal.)
- INFLATED SIZE 1.80 m x 66 cm (71" x 26")
- INNER SIZE 1.32 m (52")
- FILLED WEIGHT 696 kg (1,534 lbs)
- RATING 220-240V~ 50Hz, 2050W at 20°C (68°F)
- ACTUAL WATER FLOW 1,325 L/h (350 gal./h)
- HEATING SYSTEM..... Approx. 1.5-2.0°C/h (3-4°F/h)
- CERTIFICATION CE/GS
- PACK/GROSS WEIGHT 1 Ea., 33.93 kg (74.80 lbs)



DIGITAL CONTROL PANEL





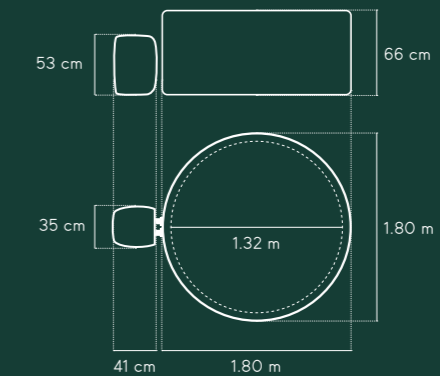
FIJI

60085

- Soothing AirJet™ bubble massage system (120 jets)
- Ultra-strong DuraPlus™ walls are stress-tested to offer durability
- Freeze Shield™ automatic heating prevents water from freezing & damaging the spa
- Program the spa heater up to 40 days in advance for future use
- ChemConnect™ dispenser provides a stable level of chlorine throughout the spa
- Power-saving, timer-controlled heating system
- Digital control panel & spa pump with integrated filtration system includes cup holders and is accessible from inside the spa
- Reinforced cover with safety lock clips

CONTENTS

1 spa, 1 pool cover, 1 spa pump, filter cartridge (VI), 1 ChemConnect™ dispenser, repair patch, AirJet™ system



FIJI

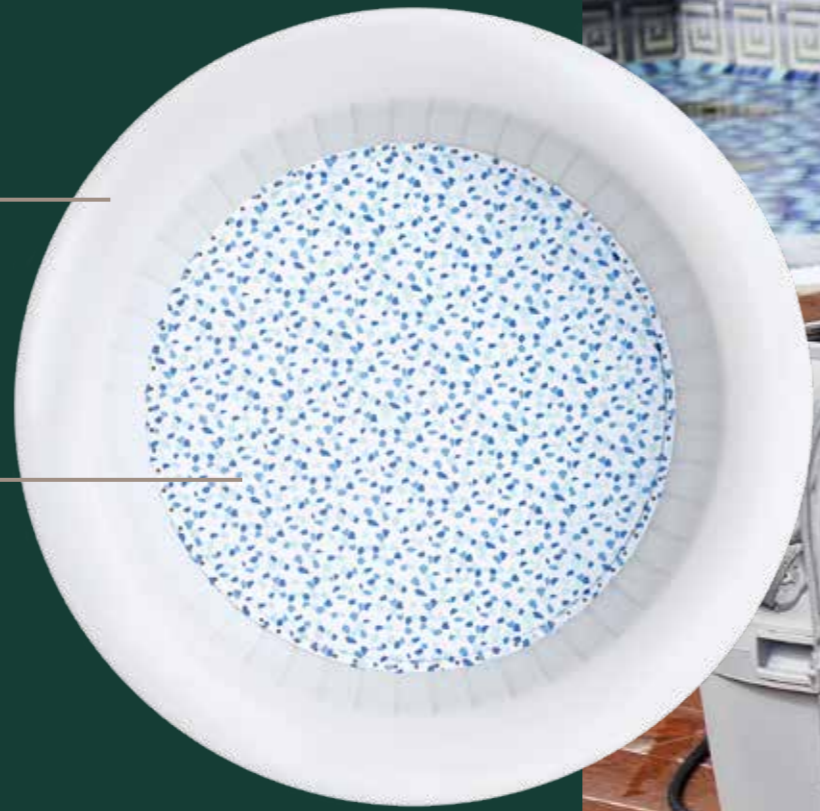
60085

DURAPLUS™ MATERIAL

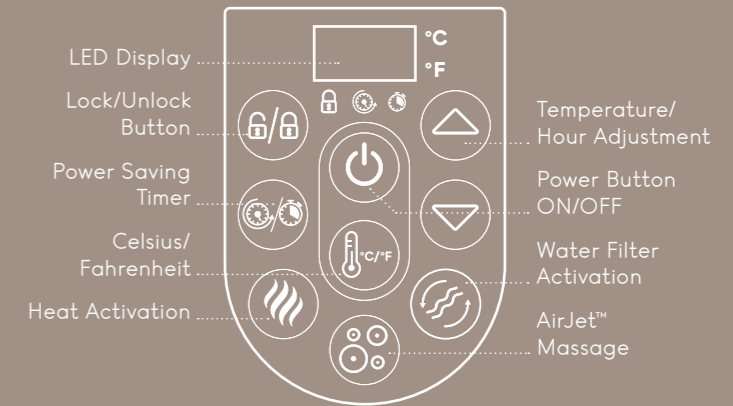
WALL AND TOP RING
The outer surface of this spa is constructed with premium DuraPlus™ material, providing superior durability, stretch resistance and structural stability.

SPECIFICATIONS

- WATER CAPACITY 669 L (177 gal.)
- INFLATED SIZE 1.80 m x 66 cm (71" x 26")
- INNER SIZE 1.32 m (52")
- FILLED WEIGHT 696 kg (1,534 lbs)
- RATING 220-240V~ 50Hz, 2050W at 20°C (68°F)
- ACTUAL WATER FLOW 1,325 L/h (350 gal./h)
- HEATING SYSTEM..... Approx. 1.5-2.0°C/h (3-4°F/h)
- CERTIFICATION CE/GS
- PACK/GROSS WEIGHT 1 Ea., 33.93 kg (74.80 lbs)



DIGITAL CONTROL PANEL





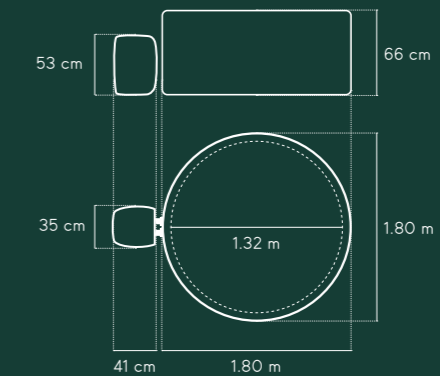
HAVANA

60035

- Soothing AirJet™ bubble massage system (120 jets)
- Massage regulator provides 2 intensity level options
- Ultra-strong DuraPlus™ walls are stress tested to offer durability
- Freeze Shield™ automatic heating prevents water from freezing & damaging the spa
- Program the spa heater up to 40 days in advance for future use
- Built-in Wi-Fi module, spa can be controlled through a phone app
- ChemConnect™ dispenser provides a stable level of chlorine throughout the spa
- Power-saving, timer-controlled heating system
- Digital control panel & spa pump with integrated filtration system includes cup holders and is accessible from inside the spa
- Reinforced cover with safety lock clips

CONTENTS

1 spa, 1 pool cover, 1 spa pump, 1 ChemConnect™ dispenser, filter cartridge (VI), repair patch, AirJet™ system



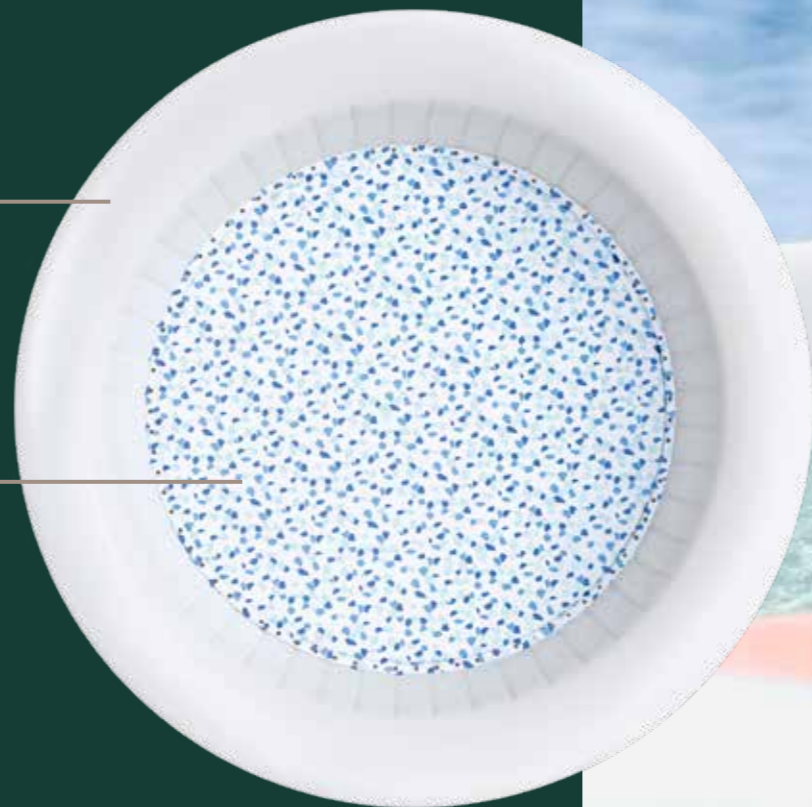
HAVANA

60035

DURAPLUS™ MATERIAL

WALL AND TOP RING


The outer surface of this spa is constructed with premium DuraPlus™ material, providing superior durability, stretch resistance and structural stability.









SPECIFICATIONS

| | |
|-------------------------|--------------------------------------|
| WATER CAPACITY | 669 L (177 gal.) |
| INFLATED SIZE | 1.80 m x 66 cm (71" x 26") |
| INNER SIZE | 1.32 m (52") |
| FILLED WEIGHT | 696 kg (1,534 lbs) |
| RATING | 220-240V~ 50Hz, 2050W at 20°C (68°F) |
| ACTUAL WATER FLOW | 1,325 L/h (350 gal./h) |
| HEATING SYSTEM..... | Approx. 1.5-2.0°C/h (3-4°F/h) |
| CERTIFICATION | CE/GS |
| PACK/GROSS WEIGHT | 1 Ea., 33.93 kg (74.80 lbs) |



- 
FREEZE SHIELD™
- 
CAPACITY
2-4 PEOPLE
- 
AIRJET™
MESSAGE SYSTEM
- 
1x
MESSAGE
REGULATION
2 INTENSITY LEVELS
- 
MULTI-FUNCTION
PUMP
- 
BESTWAY
SMART HUB™
APP

DIGITAL CONTROL PANEL

| | | | |
|------------------------------|---|----------|---------------------------------|
| LED Display |  | °C °F | Temperature/ Hour Adjustment |
| Lock/Unlock Button |  | | |
| Power Saving Timer |  | | Power Button ON/OFF |
| Celsius/ Fahrenheit |  | | Water Filter Activation |
| Heat Activation |  | | Wi-Fi Connection |
| AirJet™ Massage |  | | |





NEW

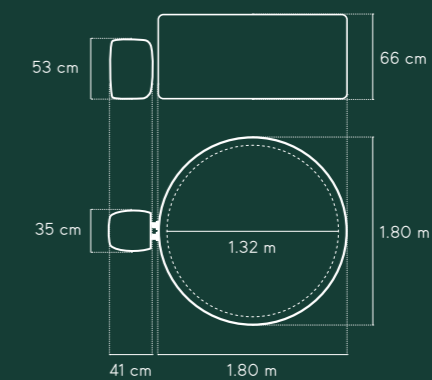
BORACAY

60175

- Soothing AirJet™ bubble massage system (120 jets)
- Massage regulator provides 2 intensity level options
- Ultra-strong DuraPlus™ walls are stress tested to offer durability
- Freeze Shield™ automatic heating prevents water from freezing & damaging the spa
- Program the spa heater up to 40 days in advance for future use
- Built-in Wi-Fi module, spa can be controlled through a phone app
- ChemConnect™ dispenser provides a stable level of chlorine throughout the spa
- Power-saving, timer-controlled heating system
- Digital control panel & spa pump with integrated filtration system includes cup holders and is accessible from inside the spa
- Reinforced cover with safety lock clips

CONTENTS

1 spa, 1 pool cover, 1 spa pump, filter cartridge (VI), 1 ChemConnect™ dispenser, repair patch, AirJet™ system



NEW

BORACAY

60175

DURAPLUS™ MATERIAL

WALL AND TOP RING

The outer surface of this spa is constructed with premium DuraPlus™ material, providing superior durability, stretch resistance and structural stability.



SPECIFICATIONS

- WATER CAPACITY 669 L (177 gal.)
- INFLATED SIZE 1.80 m x 66 cm (71" x 26")
- INNER SIZE 1.32 m (52")
- FILLED WEIGHT 696 kg (1,534 lbs)
- RATING 220-240V~ 50Hz, 2050W at 20°C (68°F)
- ACTUAL WATER FLOW 1,325 L/h (350 gal./h)
- HEATING SYSTEM..... Approx. 1.5-2.0°C/h (3-4°F/h)
- CERTIFICATION CE/GS
- PACK/GROSS WEIGHT 1 Ea., 33.93 kg (74.80 lbs)



FREEZE SHIELD™



CAPACITY
2-4 PEOPLE



AIRJET™
MESSAGE SYSTEM



1x 2x
MESSAGE
REGULATION
2 INTENSITY LEVELS



MULTI-FUNCTION
PUMP



BESTWAY
SMART HUB™
APP

DIGITAL CONTROL PANEL

- LED Display °C °F
- Lock/Unlock Button Temperature/ Hour Adjustment
- Power Saving Timer Power Button ON/OFF
- Celsius/Fahrenheit Water Filter Activation
- Heat Activation Wi-Fi Connection
- AirJet™ Massage





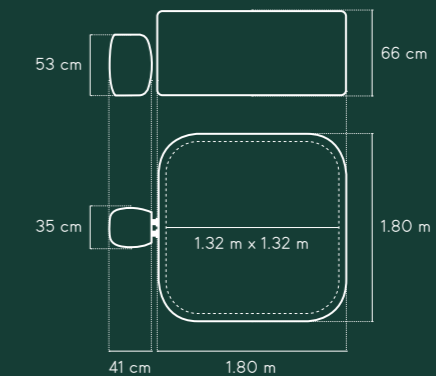
IBIZA

60015

- Soothing AirJet™ bubble massage system (140 jets)
- Ultra-strong DuraPlus™ walls are stress tested to offer durability
- Freeze Shield™ automatic heating prevents water from freezing & damaging the spa
- Program the spa heater up to 40 days in advance for future use
- ChemConnect™ dispenser provides a stable level of chlorine throughout the spa
- Power-saving, timer-controlled heating system
- Digital control panel & spa pump with integrated filtration system includes cup holders and is accessible from inside the spa
- Reinforced cover with safety lock clips

CONTENTS

1 spa, 1 pool cover, 1 spa pump, filter cartridge (VI), 1 ChemConnect™ dispenser, repair patch, AirJet™ system



IBIZA

60015



DURAPLUS™ MATERIAL

WALL AND TOP RING

The outer surface of this spa is constructed with premium DuraPlus™ material, providing superior durability, stretch resistance and structural stability.

SPECIFICATIONS

| | |
|-------------------------|---|
| WATER CAPACITY | 778 L (205 gal.) |
| INFLATED SIZE | 1.80 m x 1.80 m x 66 cm (71" x 71" x 26") |
| INNER SIZE | 1.32 m x 1.32m (52" x 52") |
| FILLED WEIGHT | 807 kg (1,779 lbs) |
| RATING | 220-240V~ 50Hz, 2050W at 20°C (68°F) |
| ACTUAL WATER FLOW | 1,325 L/h (350 gal./h) |
| HEATING SYSTEM..... | Approx. 1.5-2.0°C/h (3-4°F/h) |
| CERTIFICATION | CE/GS |
| PACK/GROSS WEIGHT | 1 Ea., 37.70 kg (83.11 lbs) |



FREEZE SHIELD™



AIRJET™
MASSAGE SYSTEM

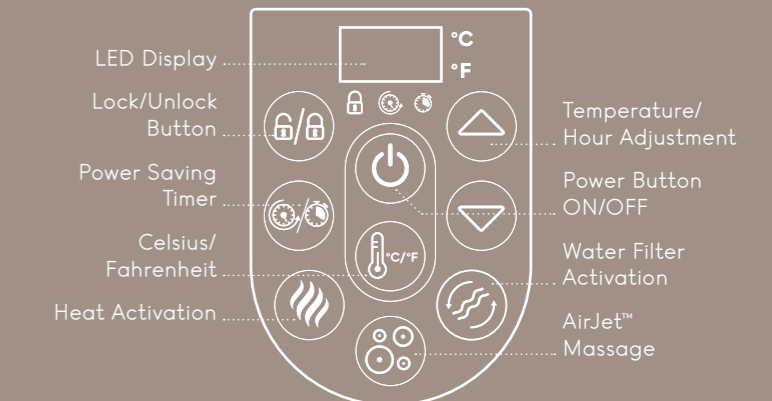


MULTI-FUNCTION
PUMP



CAPACITY
4-6 PEOPLE

DIGITAL CONTROL PANEL





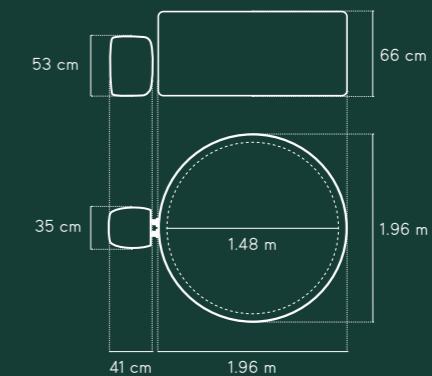
HOLLYWOOD

60059

- Soothing AirJet™ bubble massage system (140 jets)
- Ultra-strong DuraPlus™ walls are stress tested to offer durability
- Freeze Shield™ automatic heating prevents water from freezing & damaging the spa
- Program the spa heater up to 40 days in advance for future use
- ChemConnect™ dispenser provides a stable level of chlorine throughout the spa
- Remote-controlled plug-in multicolored LED light shines through the semi-transparent liner to illuminate the water
- Power-saving, timer-controlled heating system
- Digital control panel & spa pump with integrated filtration system includes cup holders and is accessible from inside the spa
- Reinforced cover with safety lock clips

CONTENTS

1 spa, 1 pool cover, 1 spa pump, filter cartridge (VI), 1 ChemConnect™ dispenser, 1 LED light strip, 4 pillows, repair patch, AirJet™ system



SCAN HERE
TO SEE HOW
IT WORKS

HOLLYWOOD

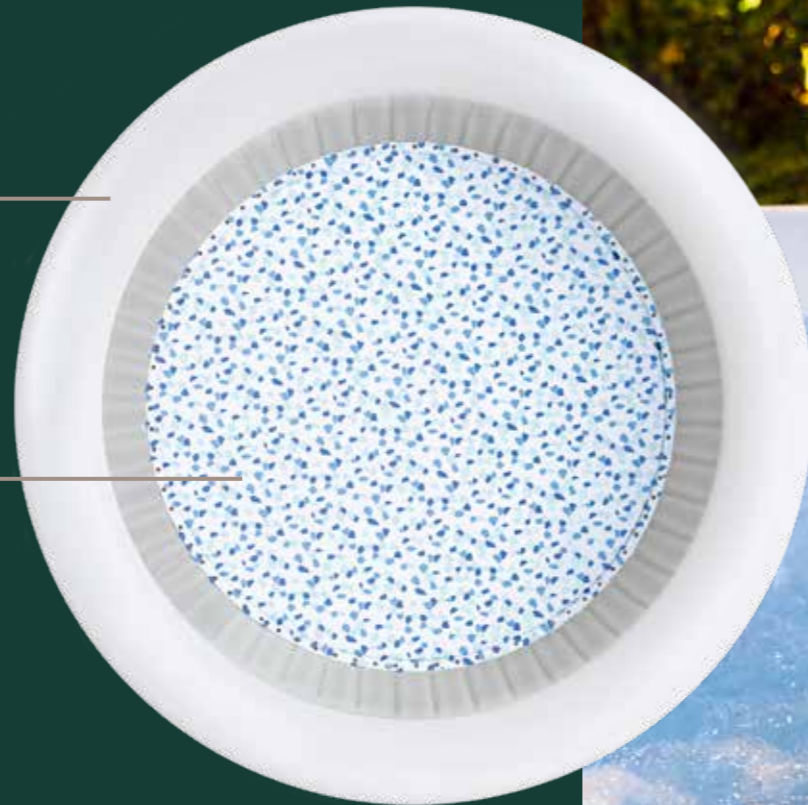
60059



DURAPLUS™ MATERIAL

WALL AND TOP RING

The outer surface of this spa is constructed with premium DuraPlus™ material, providing superior durability, stretch resistance and structural stability.



SPECIFICATIONS

| | |
|-------------------------|--------------------------------------|
| WATER CAPACITY | 908 L (240 gal.) |
| INFLATED SIZE | 1.96 m x 66 cm (77" x 26") |
| INNER SIZE | 1.48 m (58") |
| FILLED WEIGHT | 937 kg (2,066 lbs) |
| RATING | 220-240V~ 50Hz, 2050W at 20°C (68°F) |
| ACTUAL WATER FLOW | 1,325 L/h (350 gal./h) |
| HEATING SYSTEM..... | Approx. 1.5-2.0°C/h (3-4°F/h) |
| CERTIFICATION | CE/GS |
| PACK/GROSS WEIGHT | 1 Ea., 39.27 kg (86.57 lbs) |



FREEZE SHIELD™



CAPACITY
4-6 PEOPLE



AIRJET™
MASSAGE SYSTEM



PADDED
PILLOWS

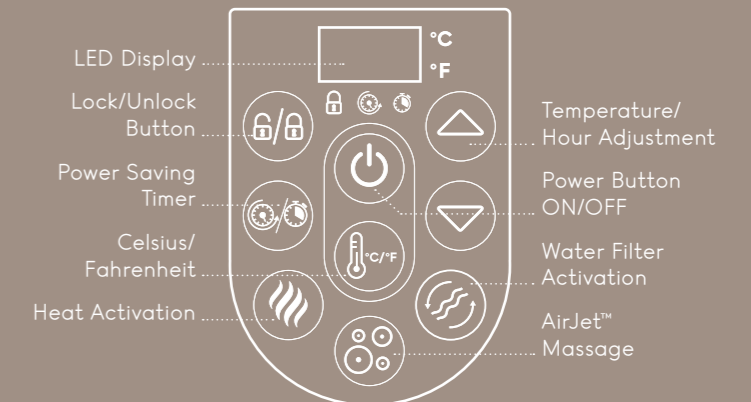


MULTI-FUNCTION
PUMP



7-COLOR
LED LIGHTS

DIGITAL CONTROL PANEL





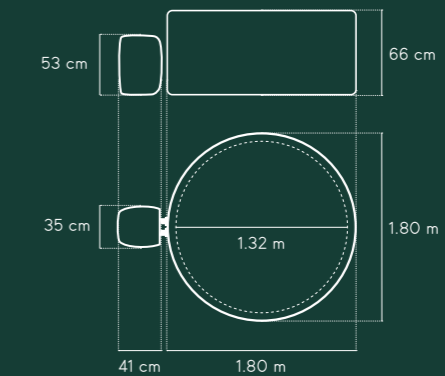
ZURICH

60065

- Soothing AirJet™ bubble massage system (120 jets)
- EnergySense™ insulated cover makes this spa as much as 40% more energy efficient
- Ultra-strong DuraPlus™ walls are stress tested to offer durability
- Freeze Shield™ automatic heating prevents water from freezing & damaging the spa
- Program the spa heater up to 40 days in advance for future use
- ChemConnect™ dispenser provides a stable level of chlorine throughout the spa
- Power-saving, timer-controlled heating system
- Reinforced cover with safety lock clips

CONTENTS

1 spa, 1 pool cover, 1 spa pump, 1 ChemConnect™ dispenser, filter cartridge (VI), repair patch, AirJet™ system



ZURICH

60065

DURAPLUS™ MATERIAL

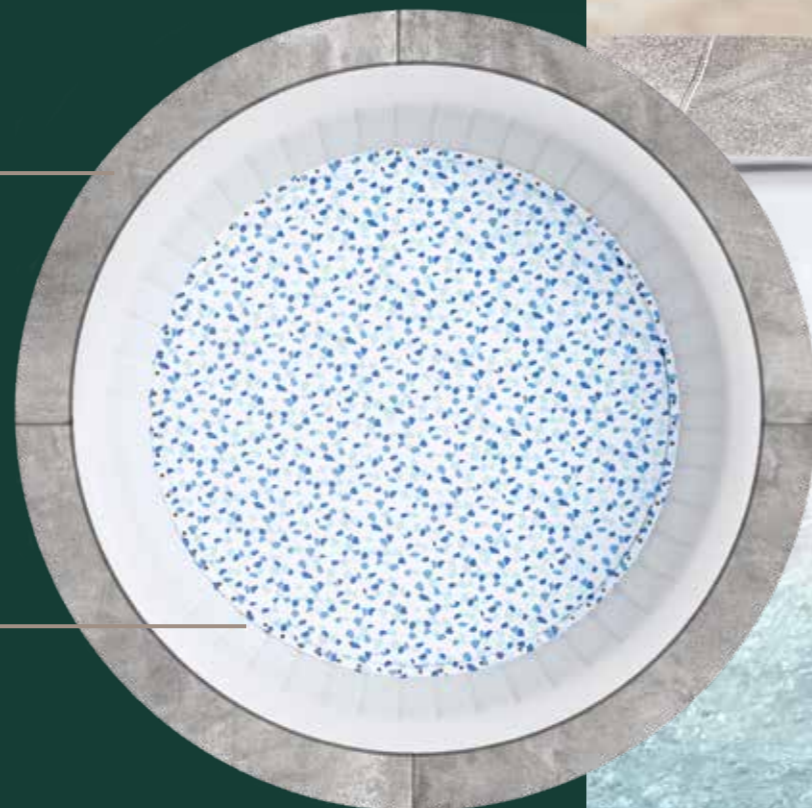
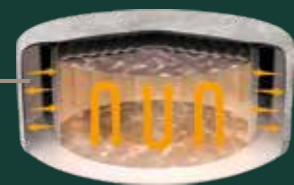
WALL AND TOP RING
The outer surface of this spa is constructed with premium DuraPlus™ material, providing superior durability, stretch resistance and structural stability.

ENERGYSENSE™ INSULATED COVER

Insulated cover speeds up heating time and prevents heat loss, making the Zurich as much as 40% more energy efficient than similar inflatable spas.

SPECIFICATIONS

- WATER CAPACITY 669 L (177 gal.)
- INFLATED SIZE 1.80 m x 66 cm (71" x 26")
- INNER SIZE 1.32 m (52")
- FILLED WEIGHT 704 kg (1,552 lbs)
- RATING 220-240V~ 50Hz, 2050W at 20°C (68°F)
- ACTUAL WATER FLOW 1,325 L/h (350 gal./h)
- HEATING SYSTEM..... Approx. 1.8-2.4°C/h (3-4°F/h)
- CERTIFICATION CE/GS
- PACK/GROSS WEIGHT 1 Ea., 43.63 kg (96.19 lbs)



FREEZE SHIELD™



AIRJET™
MASSAGE SYSTEM



MULTI-FUNCTION
PUMP

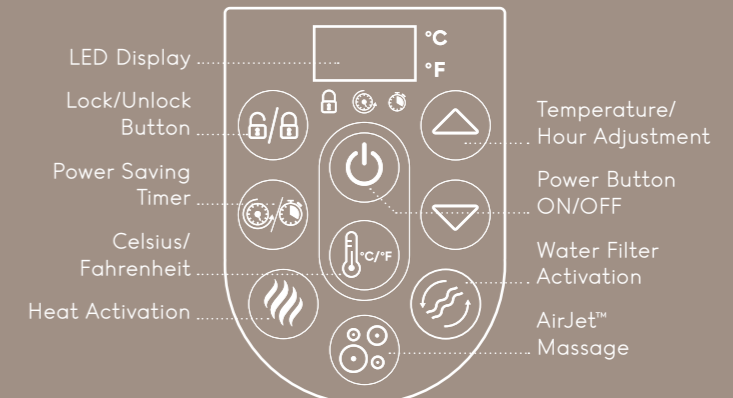


CAPACITY
2-4 PEOPLE



ENERGYSENSE™
COVER

DIGITAL CONTROL PANEL





NEW

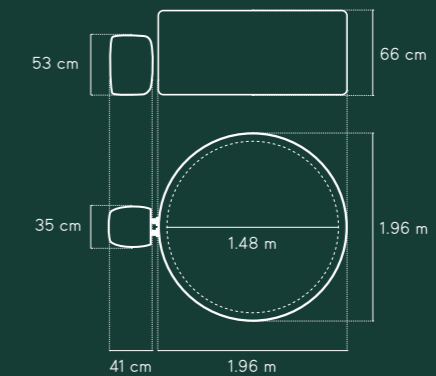
BUDAPEST

60179

- Soothing AirJet™ bubble massage system (140 jets)
- Massage regulator provides 2 intensity level options
- EnergySense™ insulated cover makes this spa as much as 40% more energy efficient
- Ultra-strong DuraPlus™ walls are stress tested to offer durability
- Freeze Shield™ automatic heating prevents water from freezing & damaging the spa
- Program the spa heater up to 40 days in advance for future use
- Built-in Wi-Fi module, spa can be controlled through a phone app
- ChemConnect™ dispenser provides a stable level of chlorine throughout the spa
- Power-saving, timer-controlled heating system
- Reinforced cover with safety lock clips

CONTENTS

1 spa, 1 pool cover, 1 spa pump, 1 ChemConnect™ dispenser, filter cartridge (VI), repair patch, AirJet™ system



NEW

BUDAPEST

60179

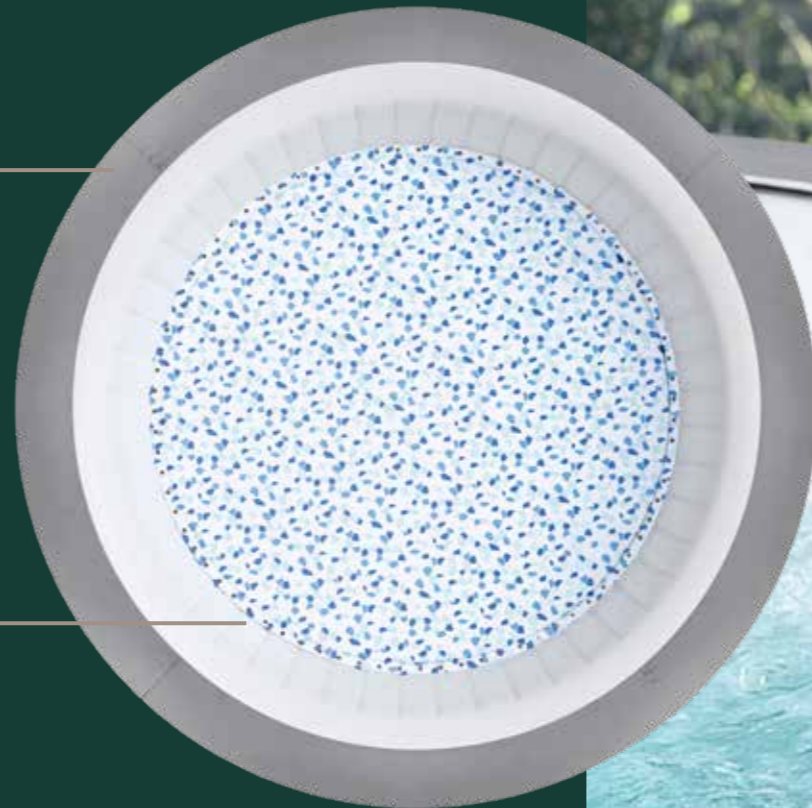
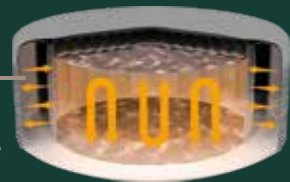
DURAPLUS™ MATERIAL

WALL AND TOP RING

The outer surface of this spa is constructed with premium DuraPlus™ material, providing superior durability, stretch resistance and structural stability.

ENERGYSENSE™ INSULATED COVER

Insulated cover speeds up heating time and prevents heat loss, making the Budapest as much as 40% more energy efficient than similar inflatable spas.



SPECIFICATIONS

- WATER CAPACITY 908 L (240 gal.)
- INFLATED SIZE 1.96 m x 66 cm (77" x 26")
- INNER SIZE 1.48 m (58")
- FILLED WEIGHT 946 kg (2,086 lbs)
- RATING 220-240V~ 50Hz, 2050W at 20°C (68°F)
- ACTUAL WATER FLOW 1,325 L/h (350 gal./h)
- HEATING SYSTEM Approx. 1.8-2.4°C/h (3-4°F/h)
- CERTIFICATION CE/GS
- PACK/GROSS WEIGHT 1 Ea., 46.42 kg (102.34 lbs)



- FREEZE SHIELD™ 1x
- MASSAGE REGULATION 2 INTENSITY LEVELS 2x
- AIRJET™ MASSAGE SYSTEM
- BESTWAY SMART HUB™ APP
- MULTI-FUNCTION PUMP
- ENERGYSENSE™ COVER
- CAPACITY 4-6 PEOPLE

DIGITAL CONTROL PANEL

- LED Display
- Lock/Unlock Button
- Power Saving Timer
- Celsius/Fahrenheit
- Heat Activation
- AirJet™ Massage
- Temperature/Hour Adjustment
- Power Button ON/OFF
- Water Filter Activation
- Wi-Fi Connection





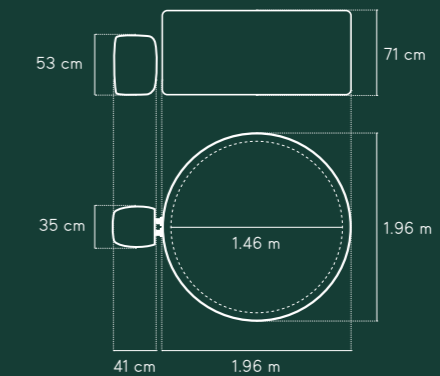
HONOLULU

60019

- Soothing AirJet™ bubble massage system (140 jets)
- Ultra-strong DuraPlus™ outer walls combined with reinforced internal beams offer superior structural stability
- Freeze Shield™ automatic heating prevents water from freezing & damaging the spa
- Program the spa heater up to 40 days in advance for future use
- ChemConnect™ dispenser provides a stable level of chlorine throughout the spa
- Power-saving, timer-controlled heating system
- Digital control panel & spa pump with integrated filtration system includes cup holders and is accessible from inside the spa
- Rattan print on outside with mosaic print on the inside
- Reinforced cover with safety lock clips

CONTENTS

1 spa, 1 pool cover, 1 spa pump, 1 ChemConnect™ dispenser, filter cartridge (VI), repair patch, AirJet™ system



HONOLULU

60019



DURAPLUS™ MATERIAL

WALL AND TOP RING
The outer surface of this spa is constructed with premium DuraPlus™ material, providing superior durability, stretch resistance and structural stability.

DELIVERING STRENGTH AND COMFORT

Beam construction is designed to offer superior structural stability while maintaining a comfortable surface for a luxurious, refreshing spa experience.

SPECIFICATIONS

| | |
|-------------------------|--------------------------------------|
| WATER CAPACITY | 916 L (242 gal.) |
| INFLATED SIZE | 1.96 m x 71 cm (77" x 28") |
| INNER SIZE | 1.46 m (57") |
| FILLED WEIGHT | 954 kg (2,103 lbs) |
| RATING | 220-240V~ 50Hz, 2050W at 20°C (68°F) |
| ACTUAL WATER FLOW | 1,325 L/h (350 gal./h) |
| HEATING SYSTEM..... | Approx. 1.5-2.0°C/h (3-4°F/h) |
| CERTIFICATION | CE/GS |
| PACK/GROSS WEIGHT | 1 Ea., 41.62 kg (91.76 lbs) |



FREEZE SHIELD™



AIRJET™
MASSAGE SYSTEM

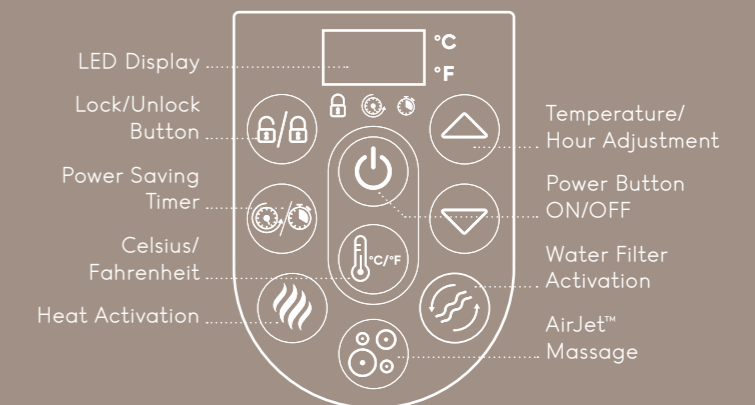


MULTI-FUNCTION
PUMP



CAPACITY
4-6 PEOPLE

DIGITAL CONTROL PANEL





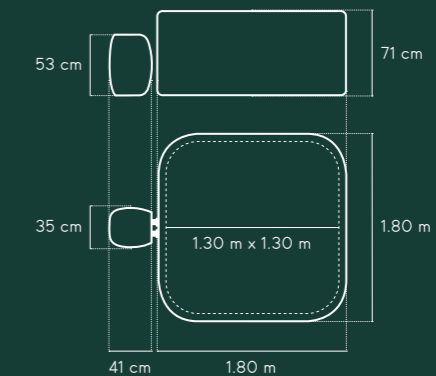
HAWAII

60021

- Soothing AirJet™ bubble massage system (140 jets)
- Ultra-strong DuraPlus™ outer walls combined with reinforced internal beams offer superior structural stability
- Freeze Shield™ automatic heating prevents water from freezing & damaging the spa
- Program the spa heater up to 40 days in advance for future use
- ChemConnect™ dispenser provides a stable level of chlorine throughout the spa
- Power-saving, timer-controlled heating system
- Digital control panel & spa pump with integrated filtration system includes cup holders and is accessible from inside the spa
- Reinforced cover with safety lock clips

CONTENTS

1 spa, 1 pool cover, 1 spa pump, 1 ChemConnect™ dispenser, filter cartridge (VI), repair patch, AirJet™ system



HAWAII

60021



DURAPLUS™ MATERIAL

WALL AND TOP RING
The outer surface of this spa is constructed with premium DuraPlus™ material, providing superior durability, stretch resistance and structural stability.

DELIVERING STRENGTH AND COMFORT

Beam construction is designed to offer superior structural stability while maintaining a comfortable surface for a luxurious, refreshing spa experience.

SPECIFICATIONS

| | |
|-------------------------|---|
| WATER CAPACITY | 840 L (222 gal.) |
| INFLATED SIZE | 1.80 m x 1.80 m x 71 cm (71" x 71" x 28") |
| INNER SIZE | 1.30 m x 1.30 m (51" x 51") |
| FILLED WEIGHT | 879 kg (1,938 lbs) |
| RATING | 220-240V~ 50Hz, 2050W at 20°C (68°F) |
| ACTUAL WATER FLOW | 1,325 L/h (350 gal./h) |
| HEATING SYSTEM..... | Approx. 1.5-2.0°C/h (3-4°F/h) |
| CERTIFICATION | CE/GS |
| PACK/GROSS WEIGHT | 1 Ea., 43.11 kg (95.04 lbs) |



FREEZE SHIELD™



AIRJET™
MASSAGE SYSTEM

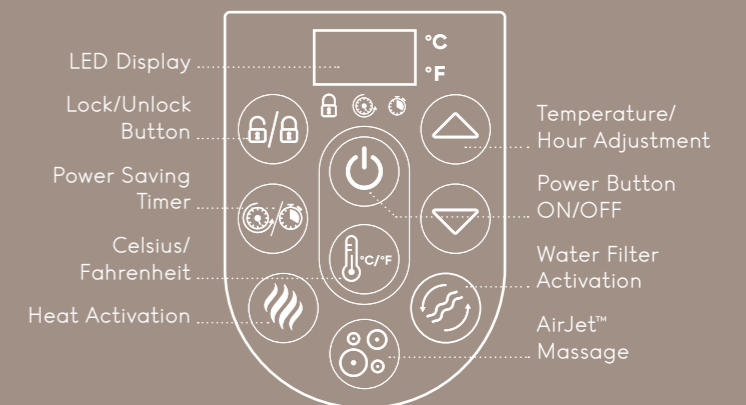


MULTI-FUNCTION
PUMP



CAPACITY
4-6 PEOPLE

DIGITAL CONTROL PANEL





**NEW
GENERATION**

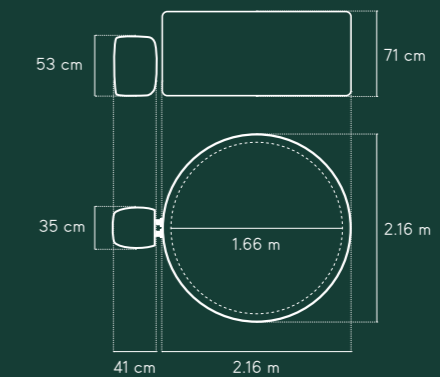
ST. MORITZ

60023

- Soothing AirJet™ bubble massage system (180 jets)
- Massage regulator provides 2 intensity level options
- Ultra-strong DuraPlus™ outer walls combined with reinforced internal beams offer superior structural stability
- Freeze Shield™ automatic heating prevents water from freezing & damaging the spa
- Program the spa heater up to 40 days in advance for future use
- Built-in Wi-Fi module, spa can be controlled through a phone app
- ChemConnect™ dispenser provides a stable level of chlorine throughout the spa
- Power-saving, timer-controlled heating system
- Digital control panel & spa pump with integrated filtration system includes cup holders and is accessible from inside the spa
- Reinforced cover with safety lock clips

CONTENTS

1 spa, 1 pool cover, 1 spa pump, 1 ChemConnect™ dispenser, filter cartridge (VI), repair patch, AirJet™ system



**NEW
GENERATION**

ST. MORITZ

60023

DURAPLUS™ MATERIAL

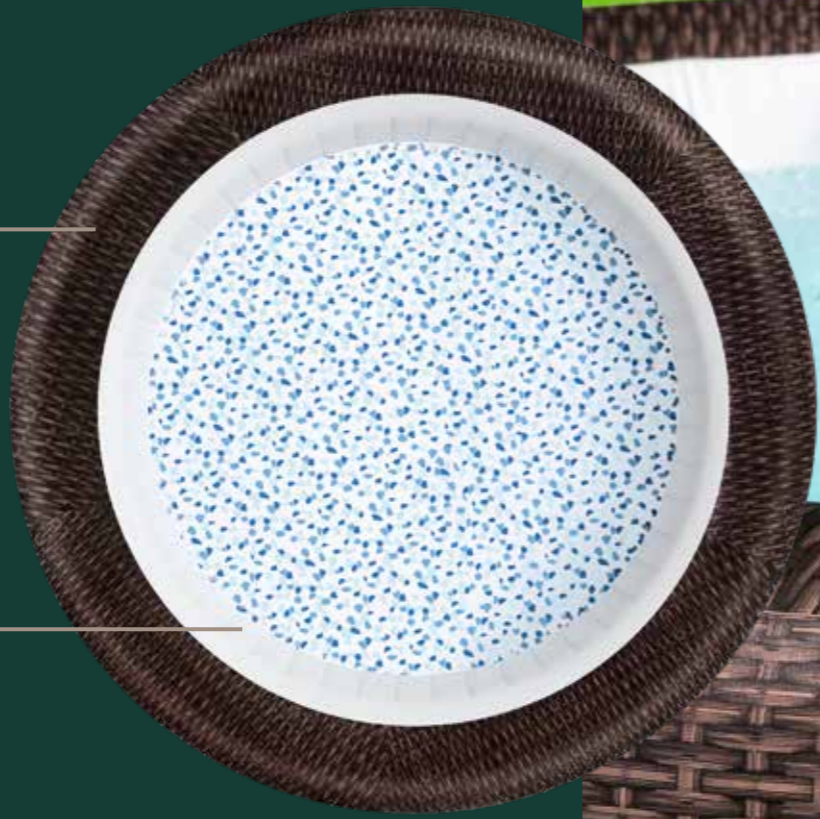
WALL AND TOP RING
The outer surface of this spa is constructed with premium DuraPlus™ material, providing superior durability, stretch resistance and structural stability.

DELIVERING STRENGTH AND COMFORT

Beam construction is designed to offer superior structural stability while maintaining a comfortable surface for a luxurious, refreshing spa experience.










SPECIFICATIONS

- WATER CAPACITY 1,190 L (314 gal.)
- INFLATED SIZE 2.16 m x 71 cm (85" x 28")
- INNER SIZE 1.66m (65")
- FILLED WEIGHT 1,210 kg (2,668 lbs)
- RATING 220-240V~ 50Hz, 2050W at 20°C (68°F)
- ACTUAL WATER FLOW 1,325 L/h (350 gal./h)
- HEATING SYSTEM..... Approx. 1.0-1.5°C/h (2-3°F/h)
- CERTIFICATION CE/GS
- PACK/GROSS WEIGHT 1 Ea., 45.99 kg (101.39 lbs)



-  FREEZE SHIELD™
-  CAPACITY
5-7 PEOPLE
-  AIRJET™
MESSAGE SYSTEM
-  1x MASSAGE
REGULATION
2 INTENSITY LEVELS
-  MULTI-FUNCTION
PUMP
-  BESTWAY
SMART HUB™
APP

DIGITAL CONTROL PANEL

| | | | |
|--------------------|---|---|---------------------------------|
| LED Display |  | °C °F | Temperature/ Hour Adjustment |
| Lock/Unlock Button |  |  | Power Button ON/OFF |
| Power Saving Timer |  |  | Water Filter Activation |
| Celsius/Fahrenheit |  |  | Wi-Fi Connection |
| Heat Activation |  |  | AirJet™ Massage |





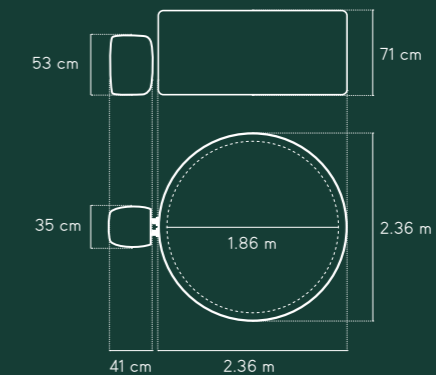
GRENADA

60135

- Soothing AirJet™ bubble massage system (190 jets)
- Ultra-strong DuraPlus™ outer walls combined with reinforced internal beams offer superior structural stability
- Freeze Shield™ automatic heating prevents water from freezing & damaging the spa
- Program the spa heater up to 40 days in advance for future use
- ChemConnect™ dispenser provides a stable level of chlorine throughout the spa
- Power-saving, timer-controlled heating system
- Digital control panel & spa pump with integrated filtration system includes cup holders and is accessible from inside the spa
- Reinforced cover with safety lock clips

CONTENTS

1 spa, 1 pool cover, 1 spa pump, 1 ChemConnect™ dispenser, filter cartridge (VI), repair patch, AirJet™ system



GRENADA

60135



DURAPLUS™ MATERIAL

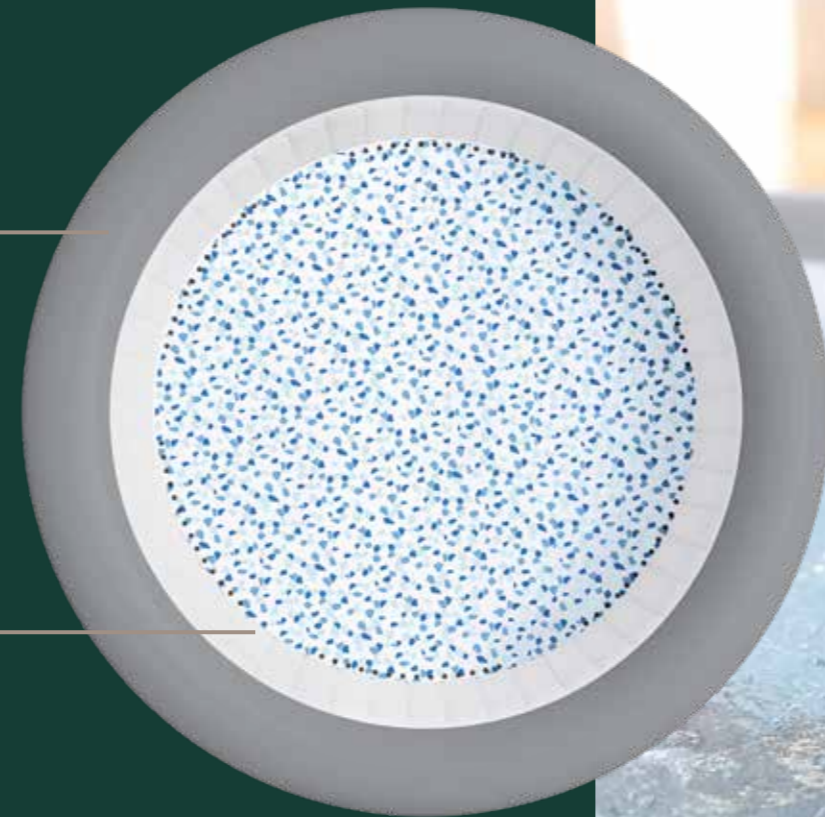
WALL AND TOP RING
The outer surface of this spa is constructed with premium DuraPlus™ material, providing superior durability, stretch resistance and structural stability.

DELIVERING STRENGTH AND COMFORT

Beam construction is designed to offer superior structural stability while maintaining a comfortable surface for a luxurious, refreshing spa experience.

SPECIFICATIONS

| | |
|-------------------------|--------------------------------------|
| WATER CAPACITY | 1,350 L (357 gal.) |
| INFLATED SIZE | 2.36 m x 71 cm (93" x 28") |
| INNER SIZE | 1.86 m (73") |
| FILLED WEIGHT | 1,393 kg (3,072 lbs) |
| RATING | 220-240V~ 50Hz, 2050W at 20°C (68°F) |
| ACTUAL WATER FLOW | 1,325 L/h (350 gal./h) |
| HEATING SYSTEM..... | Approx. 1.0-1.5°C/h (2-3°F/h) |
| CERTIFICATION | CE/GS |
| PACK/GROSS WEIGHT | 1 Ea., 53.62 kg (118.21 lbs) |



FREEZE SHIELD™



AIRJET™
MASSAGE SYSTEM



MULTI-FUNCTION
PUMP



CAPACITY
6-8 PEOPLE

DIGITAL CONTROL PANEL

| | | | |
|--------------------------|--|----------|---------------------------------|
| LED Display | | °C °F | |
| Lock/Unlock Button | | | Temperature/ Hour Adjustment |
| Power Saving Timer | | | Power Button ON/OFF |
| Celsius/Fahrenheit | | | Water Filter Activation |
| Heat Activation | | | AirJet™ Massage |





**NEW
GENERATION**

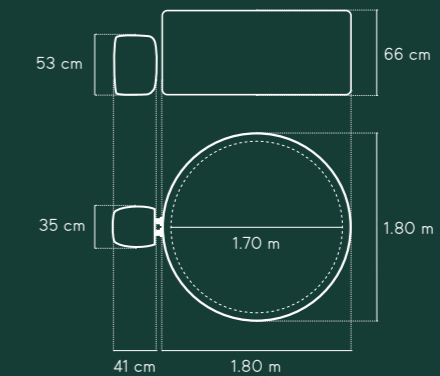
HELSINKI

60025

- Soothing AirJet™ bubble massage system (180 jets)
- Massage regulator provides 2 intensity level options
- Walls are made of drop stitch material, providing a strong and durable hard-sided spa
- Freeze Shield™ automatic heating prevents water from freezing & damaging the spa
- Program the spa heater up to 40 days in advance for future use
- Built-in Wi-Fi module, spa can be controlled through a phone app
- ChemConnect™ dispenser provides a stable level of chlorine throughout the spa
- Power-saving, timer-controlled heating system
- Digital control panel & spa pump with integrated filtration system includes cup holders and is accessible from inside the spa
- Reinforced cover with safety lock clips

CONTENTS

1 spa, 1 pool cover, 1 spa pump, 1 ChemConnect™ dispenser, 1 high pressure hand pump, filter cartridge (VI), repair patch, AirJet™ system



**NEW
GENERATION**

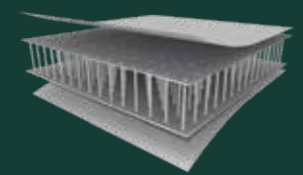
HELSINKI

60025

DROP STITCH MATERIAL

STRENGTH & DURABILITY

The inflated walls are made from drop stitch material, providing unparalleled strength and durability. Thousands of fine threads securely connect the sidewalls, which seal in air to keep the spa inflated. This material can support considerable weight while still being light and portable when deflated.



SPECIFICATIONS

- WATER CAPACITY 1,123 L (297 gal.)
- INFLATED SIZE 1.80 m x 66 cm (71" x 26")
- INNER SIZE 1.70 m (67")
- FILLED WEIGHT 1,155 kg (2,548 lbs)
- RATING 220-240V~ 50Hz, 2050W at 20°C (68°F)
- ACTUAL WATER FLOW 1,325 L/h (350 gal./h)
- HEATING SYSTEM..... Approx. 1.0-1.5°C/h (2-3°F/h)
- CERTIFICATION CE/GS
- PACK/GROSS WEIGHT 1 Ea., 40.13 kg (88.47 lbs)



- FREEZE SHIELD™
- CAPACITY 5-7 PEOPLE
- AIRJET™ MASSAGE SYSTEM
- MASSAGE REGULATION 2 INTENSITY LEVELS
- MULTI-FUNCTION PUMP
- BESTWAY SMART HUB™ APP

DIGITAL CONTROL PANEL

| | | | |
|--------------------|--|---------|------------------------------|
| LED Display | | °C / °F | Temperature/ Hour Adjustment |
| Lock/Unlock Button | | | |
| Power Saving Timer | | | Power Button ON/OFF |
| Celsius/Fahrenheit | | | Water Filter Activation |
| Heat Activation | | | Wi-Fi Connection |
| AirJet™ Massage | | | |



AIRJET PLUS™ SYSTEM

MASSAGING BUBBLES ARE THE PERFECT WAY TO UNWIND.

The AirJet Plus system releases bubbles from both the bottom and the sidewalls of the spa to target both the legs and back.

FOOT MASSAGE

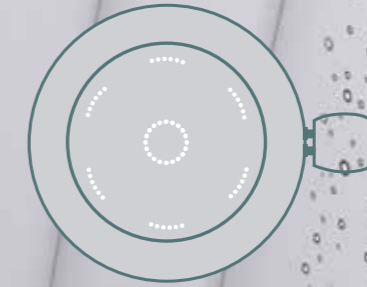
The AirJet Plus system features additional jets, strategically placed to provide a relaxing foot massage. By placing another circle of massage bubbles in the center of the spa, we are able to target the legs as well as the back of the user.



COMBINATION HEAT & AIR MASSAGE



AIRJET™ POSITIONING



MULTI-FUNCTION PUMP

The included spa pump is convenient and accessible, complete with a new digital interface and cup holders. This pump inflates the spa, starts the heating and massage systems, and can activate the filtration system. The new design also just received a convenient upgrade – spa users can now reach the digital interface from inside the spa. No standing or exiting needed!





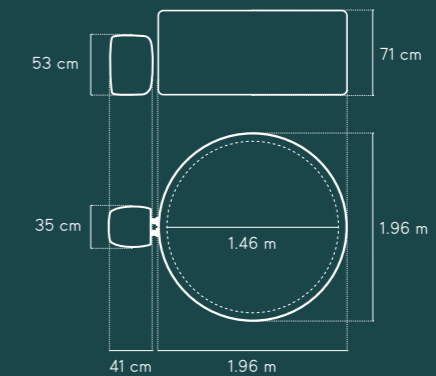
MILAN

60029

- Soothing AirJet Plus™ targeted bubble massage system (140 jets)
- Massage regulator provides 2 intensity level options
- Ultra-strong DuraPlus™ outer walls combined with reinforced internal beams offer superior structural stability
- Freeze Shield™ automatic heating prevents water from freezing & damaging the spa
- Program the spa heater up to 40 days in advance for future use
- Built-in Wi-Fi module, spa can be controlled through a phone app
- ChemConnect™ dispenser provides a stable level of chlorine throughout the spa
- Power-saving, timer-controlled heating system
- Digital control panel & spa pump with integrated filtration system includes cup holders and is accessible from inside the spa
- Reinforced cover with safety lock clips

CONTENTS

1 spa, 1 pool cover, 1 spa pump, 1 ChemConnect™ dispenser, filter cartridge (VI), repair patch, AirJet Plus™ system



MILAN

60029

DURAPLUS™ MATERIAL

WALL AND TOP RING
The outer surface of this spa is constructed with premium DuraPlus™ material, providing superior durability, stretch resistance and structural stability.

DELIVERING STRENGTH AND COMFORT

Beam construction is designed to offer superior structural stability while maintaining a comfortable surface for a luxurious, refreshing spa experience.

SPECIFICATIONS

| | |
|-------------------------|--------------------------------------|
| WATER CAPACITY | 916 L (242 gal.) |
| INFLATED SIZE | 1.96 m x 71 cm (77" x 28") |
| INNER SIZE | 1.46 m (57") |
| FILLED WEIGHT | 954 kg (2,103 lbs) |
| RATING | 220-240V~ 50Hz, 2050W at 20°C (68°F) |
| ACTUAL WATER FLOW | 1,325 L/h (350 gal./h) |
| HEATING SYSTEM..... | Approx. 1.5-2.0°C/h (3-4°F/h) |
| CERTIFICATION | CE/GS |
| PACK/GROSS WEIGHT | 1 Ea., 41.71 kg (91.95 lbs) |



- FREEZE SHIELD™
- CAPACITY 4-6 PEOPLE
- AIRJET PLUS™ MASSAGE SYSTEM
- MASSAGE REGULATION 2 INTENSITY LEVELS
- MULTI-FUNCTION PUMP
- BESTWAY SMART HUB™ APP

DIGITAL CONTROL PANEL

| | | | |
|----------------------------|--|-------|------------------------------|
| LED Display | | °C °F | Temperature/ Hour Adjustment |
| Lock/Unlock Button | | | |
| Power Saving Timer | | | Power Button ON/OFF |
| Celsius/Fahrenheit | | | Water Filter Activation |
| Heat Activation | | | Wi-Fi Connection |
| AirJet Plus™ Massage | | | |





**NEW
GENERATION**

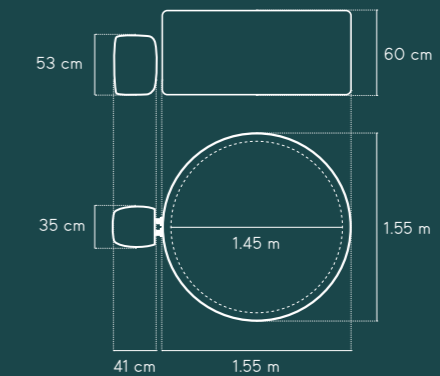
VANCOUVER

60027

- Soothing AirJet Plus™ targeted bubble massage system (140 jets)
- Massage regulator provides 2 intensity level options
- Walls are made of drop stitch material, providing a strong and durable hard-sided spa
- Freeze Shield™ automatic heating prevents water from freezing
- damaging the spa
- Program the spa heater up to 40 days in advance for future use
- Built-in Wi-Fi module, spa can be controlled through a phone app
- ChemConnect™ dispenser provides a stable level of chlorine throughout the spa
- Power-saving, timer-controlled heating system
- Digital control panel & spa pump with integrated filtration system includes cup holders and is accessible from inside the spa
- Reinforced cover with safety lock clips

CONTENTS

1 spa, 1 pool cover, 1 spa pump, 1 ChemConnect™ dispenser, 1 high pressure hand pump, filter cartridge (VI), repair patch, AirJet Plus™ system



**NEW
GENERATION**

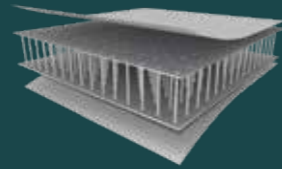
VANCOUVER

60027

DROP STITCH MATERIAL

STRENGTH & DURABILITY

The inflated walls are made from drop stitch material, providing unparalleled strength and durability. Thousands of fine threads securely connect the sidewalls, which seal in air to keep the spa inflated. This material can support considerable weight while still being light and portable when deflated.



SPECIFICATIONS

| | |
|-------------------------|--------------------------------------|
| WATER CAPACITY | 804 L (213 gal.) |
| INFLATED SIZE | 1.55 m x 60 cm (61" x 24") |
| INNER SIZE | 1.45 m (57") |
| FILLED WEIGHT | 831 kg (1,833 lbs) |
| RATING | 220-240V~ 50Hz, 2050W at 20°C (68°F) |
| ACTUAL WATER FLOW | 1,325 L/h (350 gal./h) |
| HEATING SYSTEM..... | Approx. 1.5-2.0°C/h (3-4°F/h) |
| CERTIFICATION | CE/GS |
| PACK/GROSS WEIGHT | 1 Ea., 33.72 kg (74.34 lbs) |



FREEZE SHIELD™



CAPACITY
3-5 PEOPLE



AIRJET PLUS™
MASSAGE SYSTEM



1x 2x
MASSAGE
REGULATION
2 INTENSITY LEVELS

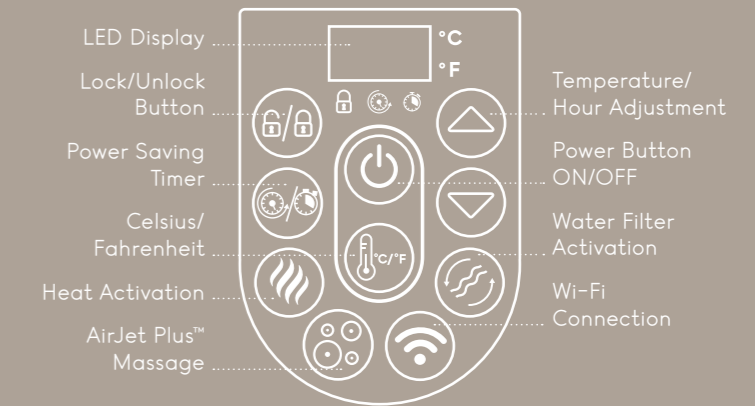


MULTI-FUNCTION
PUMP



BESTWAY
SMART HUB™
APP

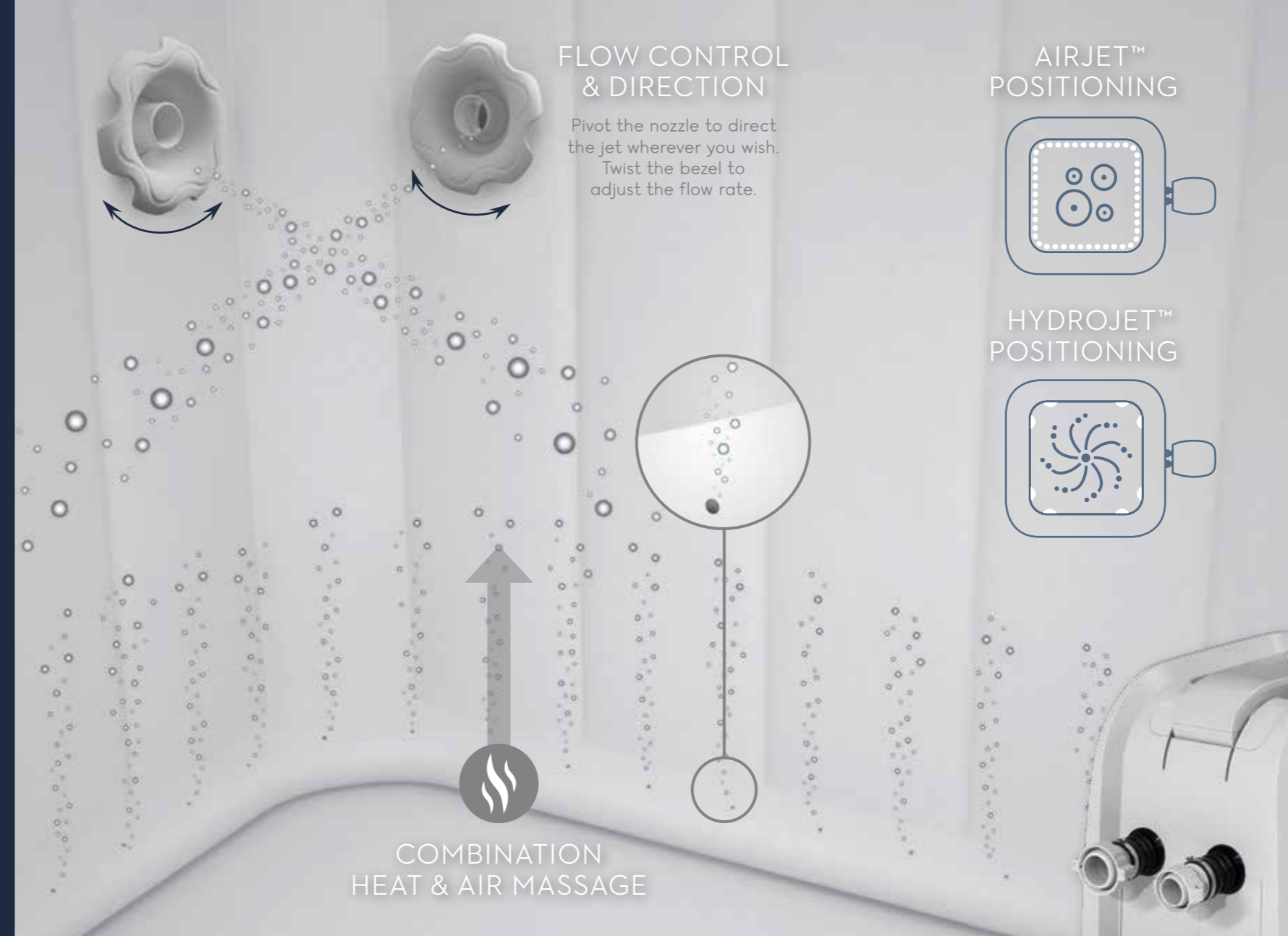
DIGITAL CONTROL PANEL



HYDROJET PRO™ SYSTEM

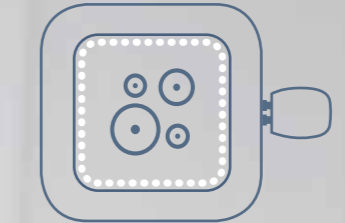
PERFECT SPA RELAXATION AT YOUR FINGERTIPS.

HydroJet Pro is the best of both worlds! Adjustable nozzles along the inside walls of the spa release soothing jetstreams of water, while jets along the bottom release a calming flow of air bubbles specifically targeting your feet and back.

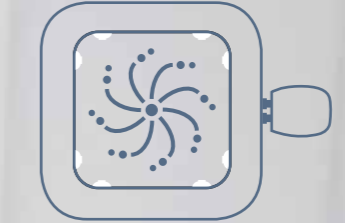


FLOW CONTROL & DIRECTION
Pivot the nozzle to direct the jet wherever you wish. Twist the bezel to adjust the flow rate.

AIRJET™ POSITIONING



HYDROJET™ POSITIONING



COMBINATION HEAT & AIR MASSAGE

MULTI-FUNCTION PUMP

The included spa pump is convenient and accessible, complete with a new digital interface and cup holders. This pump inflates the spa, starts the heating and massage systems, and can activate the filtration system. The new design also just received a convenient upgrade - spa users can now reach the digital interface from inside the spa. No standing or exiting needed!





**NEW
GENERATION**

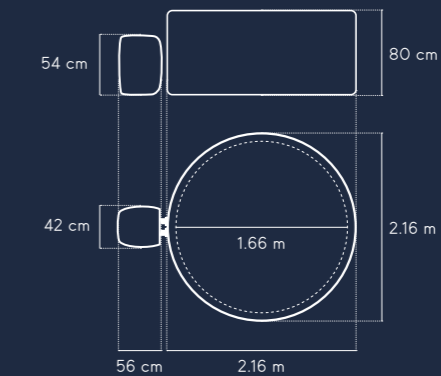
SANTORINI

60075

- Hydrodynamic water jetstream and air bubble massage system (10 jetstream nozzles and 180 jets)
- Massage regulator provides 2 intensity level options
- Ultra-strong DuraPlus™ outer walls combined with reinforced internal beams offer superior structural stability
- Freeze Shield™ automatic heating prevents water from freezing & damaging the spa
- Program the spa heater up to 40 days in advance for future use
- Built-in Wi-Fi module, spa can be controlled through a phone app
- ChemConnect™ dispenser provides a stable level of chlorine throughout the spa
- ColorJet LED lights alternate between 7 different colors
- Power-saving, timer-controlled heating system
- Digital control panel & spa pump with integrated filtration system includes cup holders and is accessible from inside the spa
- Reinforced cover with safety lock clips
- Inflatable seat and padded pillows provide an ultra-comfortable experience

CONTENTS

1 spa, 1 pool cover, 1 spa pump, 1 ChemConnect™ dispenser, 5 pillows, filter cartridge (VI), 2 water powered LED lights, repair patch, HydroJet Pro™ system



**NEW
GENERATION**

SANTORINI

60075

DURAPLUS™ MATERIAL

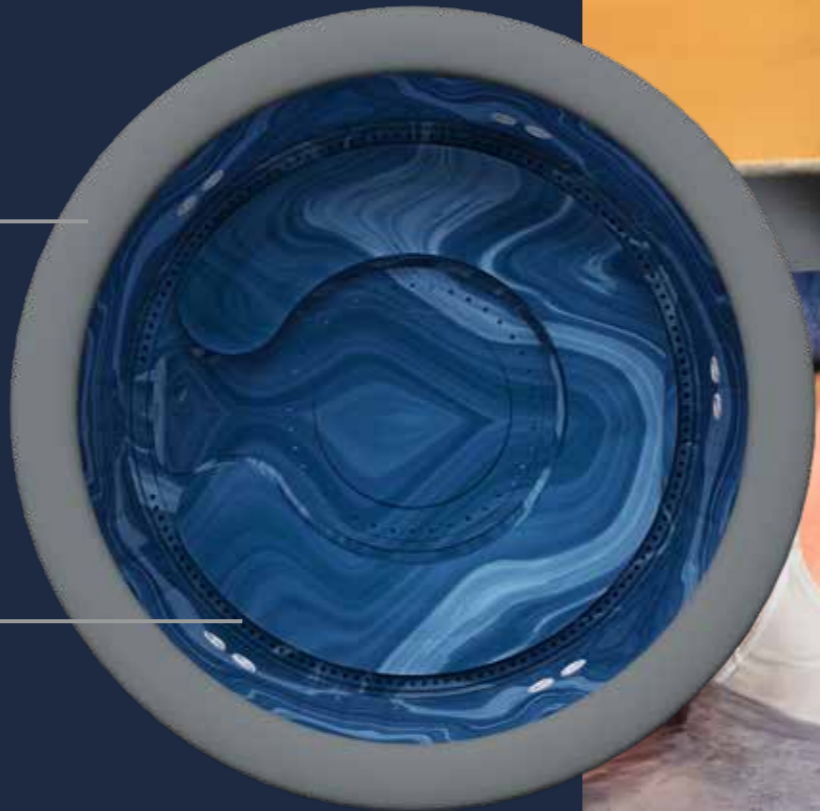
WALL AND TOP RING
The outer surface of this spa is constructed with premium DuraPlus™ material, providing superior durability, stretch resistance and structural stability.

DELIVERING STRENGTH AND COMFORT

Beam construction is designed to offer superior structural stability while maintaining a comfortable surface for a luxurious, refreshing spa experience.

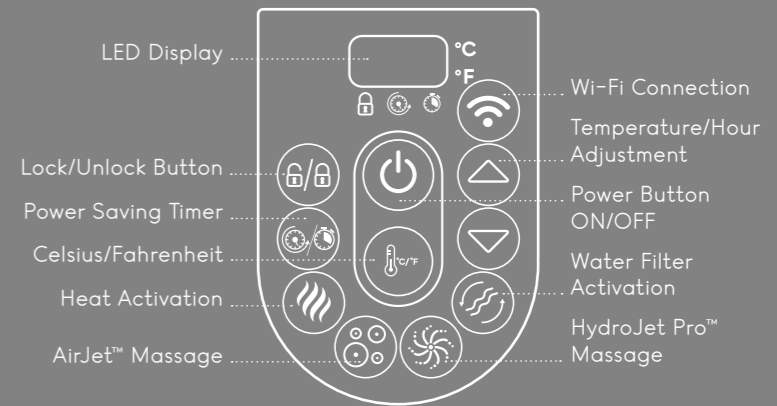
SPECIFICATIONS

- WATER CAPACITY 1,190 L (314 gal.)
- INFLATED SIZE 2.16 m x 80 cm (85" x 31.5")
- INNER SIZE 1.66 m (65")
- FILLED WEIGHT 1,253 kg (2,762 lbs)
- RATING 220-240V~ 50Hz, 2050W at 20°C (68°F)
- ACTUAL WATER FLOW 1,325 L/h (350 gal./h)
- HEATING SYSTEM..... Approx. 1.0-1.5°C/h (2-3°F/h)
- CERTIFICATION CE
- PACK/GROSS WEIGHT 1 Ea., 77.06 kg (169.89 lbs)



- FREEZE SHIELD™
- 7-COLOR LED LIGHTS
- HYDROJET PRO™ MASSAGE SYSTEM
- INTEGRATED SEATS
- MULTI-FUNCTION PUMP
- MASSAGE REGULATION
2 INTENSITY LEVELS
- CAPACITY
5-7 PEOPLE
- BESTWAY SMART HUB™ APP
- PADDED PILLOWS

DIGITAL CONTROL PANEL





**NEW
GENERATION**

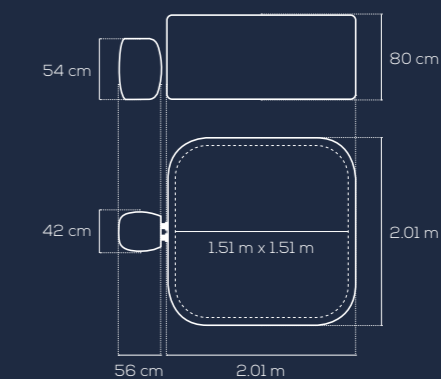
MALDIVES

60033

- Hydrodynamic water jetstream and air bubble massage system (8 jetstream nozzles and 180 jets)
- Massage regulator provides 2 intensity level options
- Ultra-strong DuraPlus™ outer walls combined with reinforced internal beams offer superior structural stability
- Freeze Shield™ automatic heating prevents water from freezing & damaging the spa
- Program the spa heater up to 40 days in advance for future use
- Built-in Wi-Fi module, spa can be controlled through a phone app
- ChemConnect™ dispenser provides a stable level of chlorine throughout the spa
- ColorJet LED lights alternate between 7 different colors
- Power-saving, timer-controlled heating system
- Digital control panel & spa pump with integrated filtration system includes cup holders and is accessible from inside the spa
- Reinforced cover with safety lock clips
- Inflatable seat and padded pillows provide an ultra-comfortable experience

CONTENTS

1 spa, 1 pool cover, 1 spa pump, 1 ChemConnect™ dispenser, 5 pillows, filter cartridge (VI), 2 water powered LED lights, repair patch, HydroJet Pro™ system



**NEW
GENERATION**

MALDIVES

60033



DURAPLUS™ MATERIAL

WALL AND TOP RING
The outer surface of this spa is constructed with premium DuraPlus™ material, providing superior durability, stretch resistance and structural stability.

DELIVERING STRENGTH AND COMFORT

Beam construction is designed to offer superior structural stability while maintaining a comfortable surface for a luxurious, refreshing spa experience.

SPECIFICATIONS

- WATER CAPACITY 1,050 L (277 gal.)
- INFLATED SIZE 2.01 m x 2.01 m x 80 cm (79" x 79" x 31.5")
- INNER SIZE 1.51 m x 1.51 m (59" x 59")
- FILLED WEIGHT 1,118 kg (2,465 lbs)
- RATING 220-240V~ 50Hz, 2050W at 20°C (68°F)
- ACTUAL WATER FLOW 1,325 L/h (350 gal./h)
- HEATING SYSTEM..... Approx. 1.0-1.5°C/h (2-3°F/h)
- CERTIFICATION CE
- PACK/GROSS WEIGHT 1 Ea., 82.34 kg (181.53 lbs)



- 

FREEZE SHIELD™
- 

7-COLOR LED LIGHTS
- 

HYDROJET PRO™ MASSAGE SYSTEM
- 

INTEGRATED SEATS
- 

MULTI-FUNCTION PUMP
- 

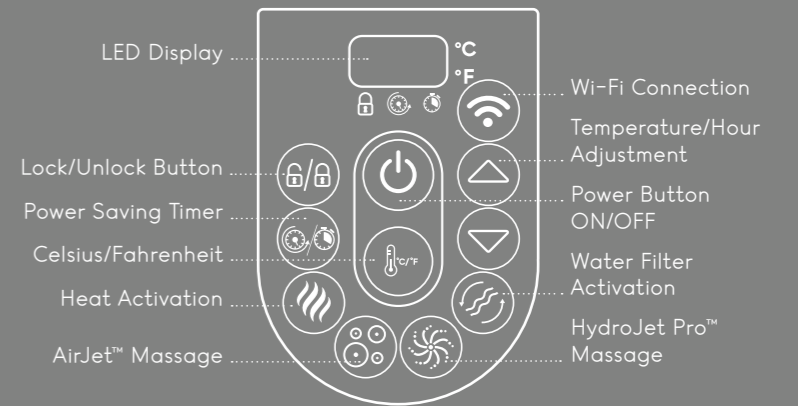
MASSAGE REGULATION
2 INTENSITY LEVELS
- 

CAPACITY
5-7 PEOPLE
- 

BESTWAY SMART HUB™ APP
- 

PADDED PILLOWS

DIGITAL CONTROL PANEL





NEW

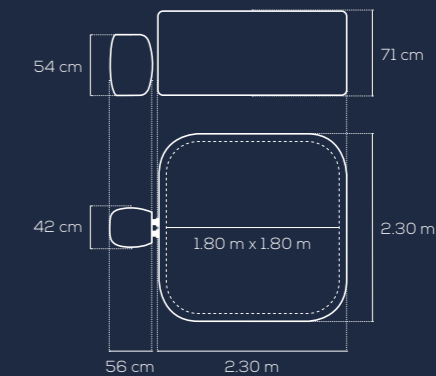
SAN FRANCISCO

60161

- Hydrodynamic water jetstream and air bubble massage system (10 jetstream nozzles and 180 jets)
- Jet massage nozzles integrated into the back of the lounge and leg massage integrated into the single lounge
- Massage regulator provides 2 intensity level options
- Ultra-strong DuraPlus™ outer walls combined with reinforced internal beams offer superior structural stability
- Freeze Shield™ automatic heating prevents water from freezing & damaging the spa
- Program the spa heater up to 40 days in advance for future use
- Built-in Wi-Fi module, spa can be controlled through a phone app
- ChemConnect™ dispenser provides a stable level of chlorine throughout the spa
- ColorJet LED lights alternate between 7 different colors
- Power-saving, timer-controlled heating system
- Digital control panel & spa pump with integrated filtration system includes cup holders and is accessible from inside the spa
- Reinforced cover with safety lock clips
- Inflatable seats and padded pillows provide an ultra-comfortable experience

CONTENTS

1 spa, 1 pool cover, 1 spa pump, 1 ChemConnect™ dispenser, filter cartridge (VI), 2 water powered LED lights, 5 pillows, repair patch, HydroJet Pro™ system



NEW

SAN FRANCISCO

60161



DURAPLUS™ MATERIAL

WALL AND TOP RING
The outer surface of this spa is constructed with premium DuraPlus™ material, providing superior durability, stretch resistance and structural stability.

DELIVERING STRENGTH AND COMFORT

Beam construction is designed to offer superior structural stability while maintaining a comfortable surface for a luxurious, refreshing spa experience.

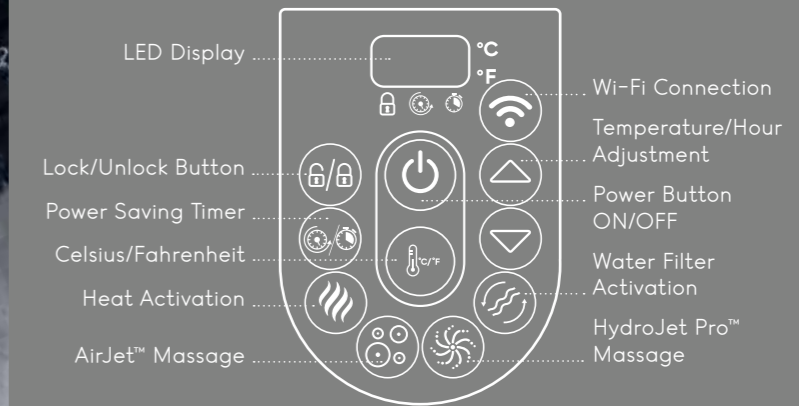
SPECIFICATIONS

- WATER CAPACITY 1,180 L (312 gal.)
- INFLATED SIZE 2.30 m x 2.30 m x 71 cm (90.5" x 90.5" x 28")
- INNER SIZE 1.80 m x 1.80 m (71" x 71")
- FILLED WEIGHT 1,258 kg (2,774 lbs)
- RATING 220-240V~ 50Hz, 2050W at 20°C (68°F)
- ACTUAL WATER FLOW 1,325 L/h (350 gal./h)
- HEATING SYSTEM..... Approx. 1.0-1.5°C/h (2-3°F/h)
- CERTIFICATION CE
- PACK/GROSS WEIGHT 1 Ea., 92.53 kg (203.99 lbs)



- FREEZE SHIELD™
- 7-COLOR LED LIGHTS
- HYDROJET PRO™ MASSAGE SYSTEM
- INTEGRATED SEATS
- MULTI-FUNCTION PUMP
- MASSAGE REGULATION 2 INTENSITY LEVELS
- CAPACITY 5-7 PEOPLE
- BESTWAY SMART HUB™ APP
- PADDED PILLOWS

DIGITAL CONTROL PANEL



XTRAS

ACCESSORIES TO
COMPLEMENT YOUR SPA.

Make maintenance easy and elevate the luxury and comfort of your spa with an array of accessory options from Bestway®.



NEW

UNDERWATER VACUUM

60323

- Compatible with Bestway AirJet™ & AirJet Plus™ spas
- Connects to the water outlets on the spa and uses the water flow to create suction
- Lightweight pole to easily maneuver the vacuum around the liner of the spa
- Features a brush head and reusable debris bag
- Full color box
- 6 Ea., 4.98 kg (10.98 lbs)

CONTENTS

1 vacuum cleaner

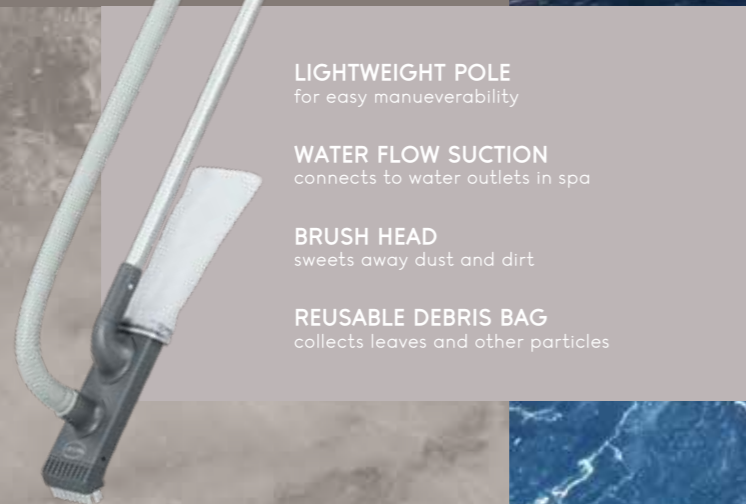


LIGHTWEIGHT POLE
for easy maneuverability

WATER FLOW SUCTION
connects to water outlets in spa

BRUSH HEAD
sweeps away dust and dirt

REUSABLE DEBRIS BAG
collects leaves and other particles



RECHARGEABLE UNDERWATER VACUUM

60313

- Rechargeable battery-powered pump creates suction, without the use of hoses or electrical cords
- Consistent performance for 50 minutes
- Charge time: 4-5 hours
- Simple press-button operation
- Ideal for spas and small pools
- Pivoting suction head with wheels and brushes
- Debris is collected in an easy-to-access and easy-to-empty stainless steel filter
- Full color box
- 4 Ea., 4.80 kg (10.58 lbs)

CONTENTS

1 vacuum, 1 USB charging cable



TWO-SECTION POLE
with total reach of approximately 1.50 m / 5"

TRANSPARENT BODY
shows debris level

RECHARGEABLE
plug, charge, and clean!

PIVOTING SUCTION HEAD





PILLOW

60307

- Soft pillow provides head and neck support
- Organic PU foam is 100% waterproof and resistant to chemicals and odors
- Compatible with all spas with a wall thickness between 20-27 cm (7.9"-10.6")
- Easy to clean
- Full color box
- 4 Ea., 3.67 kg (8.09 lbs)

CONTENTS: 2 pillows



NEW

SPA SEAT

60321

- Firm, sturdy spa seat is comfortable for hours of relaxation
- Seat legs can be adjusted to a custom height - from 8-12 cm (3.15-4.72 in.)
- Weighted seats remain at the bottom of the spa
- Full color box
- 2 Ea., 6.14 kg (13.54 lbs)

CONTENTS: 1 seat



PADDED PILLOW

60316

- Soft pillow provides head and neck support
- Adjustable strap drapes over the side of the spa, using the balance weight to keep it in place
- Compatible with all Lay-Z-Spas
- Comfortable sponge pillow is covered with washable mesh fabric
- Full color box
- 12 Ea., 4.16 kg (9.17 lbs)

CONTENTS: 2 pillows



NEW

SOOTHING LED WATERFALL

60322

- Compatible with Bestway AirJet™ & AirJet Plus™ spas
- LED light alternates between 7 colors
- IP66 waterproof rating – protects from powerful streams of water and dust
- 2 hours of run time with auto-shutoff feature
- Magnetic attachment system for easy setup
- One-touch operation: simply press bottom button
- Uses 3 AAA batteries (not included)
- Full color box
- 4 Ea., 4.22 kg (9.30 lbs)

CONTENTS: 1 LED waterfall



DRINK HOLDER

60306

- Keep beverages or snacks close by while you relax
- Position anywhere on the top of spa sidewall
- Compatible with all spas with a wall thickness between 20-27 cm (7.9"-10.6")
- Full color box
- 12 Ea., 8.95 kg (19.73 lbs)

CONTENTS: 2 drink holders, 1 tray

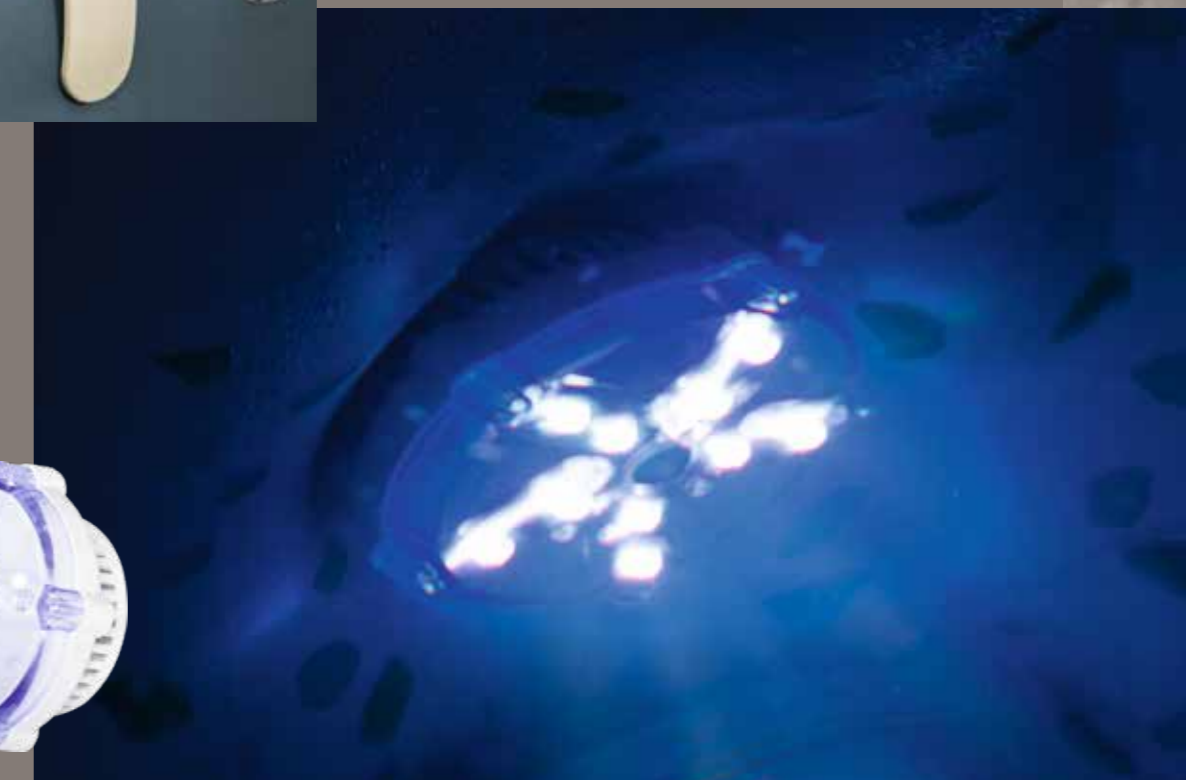


7-COLOR LED LIGHT

60303

- Uses 3 AAA batteries (not included)
- LED light alternates between 7 colors
- 2 hours of run time with auto-shutoff feature
- One-touch operation: simply press top button
- Full color box
- 6 Ea., 0.98 kg (2.16 lbs)

CONTENTS: 1 7-Color LED Light



CANOPY

60304

- 1.83 m x 94 cm x 1.09 m / 6' x 37" x 43"
- Fabric with UV protection
- Compatible with all Bestway spas sized 1.80-2.70 m (71"-8'11")
- High density, ventilated mesh windows
- Full color box
- 3 Ea., 4.09 kg (9.02 lbs)

CONTENTS

1 tent, 3 poles, 2 guy lines, 1 storage bag



DOME

60305

- 3.90 m x 3.90 m x 2.55 m / 12'9" x 12'9" x 8'4"
- Fabric with UV protection
- Fits all Bestway spas
- 4 large inside pockets to store personal items
- 4 detachable fabric and mesh doors, suitable for both winter and summer
- Suitable as a gazebo for use in the garden or backyard
- Can be used for pools up to 3.66 m (12") diameter
- Setup time: 15 min.
- Full color box
- 2 Ea., 34.36 kg (75.75 lbs)

CONTENTS

1 tent, 4 detachable fabric doors, 4 detachable mesh doors, carry bag



ALL IN ONE TOOL SET 60310

- Full color box
- 8 Ea., 7.30 kg (16.09 lbs)

CONTENTS: 1 scoop, 1 brush, 1 scrubbing mitt

1. SCOOP

- Bumper protects spa surface
- Round shaped design fits the contours of the spa interior
- Deep net to collect debris
- Handheld or connects to standard telescopic pole

2. SCRUBBING MITT

- Scrub along spa water line
- Latex glove bonded with scrubber pad

3. BRUSH

- Bumper and nylon bristles protect spa's surface
- Handheld or connects to standard telescopic pole



1



2



3

FLOOR PROTECTOR 60309

- 2.16 m x 2.16 m / 85" x 85"
- Square protector 40 cm x 50 cm (15.5" x 19.5") mat for spa heater
- Durable polyethylene material that provides protection for your spa
- Compatible with all Bestway Spas smaller than 2.16 m (85")
- Package contains 10 pieces (9 attachable, 1 individual)
- Shrink wrapped with insert card
- 4 Ea., 10.48 kg (23.10 lbs)

CONTENTS: 1 floor protector set



POOL & SPA TEST STRIPS 58142

- The ideal solution for basic pool and spa water testing
- 3-in-1 Test Strip:
 - Free Chlorine
 - pH
 - Total Alkalinity
- Easy Color-Match System
- Measures Free Chlorine 0 to 10 ppm, Alkalinity 0 to 240 ppm and pH 6.2 to 8.4 with instant results
- 18-Month Shelf Life
- Blister card
- 24 Ea., 1.20 kg (2.65 lbs)

CONTENTS: 50 test strips



FILTER CARTRIDGE^(VI) 60311

- 10.6 cm x 8.0 cm / 4.2" x 3.1"
- Easy to clean
- Shrink wrapped with insert card
- 12 Sets., 2.79 kg (6.15 lbs)

CONTENTS: 2 filter cartridges



VI

TECHNICAL FEATURES & ACCESSORY COMPATIBILITY



| | ST. LUCIA 60037 | MIAMI 60001 | BAHAMAS 60005 | FIJI 60085 | HAVANA 60035 | BORACAY 60175 | IBIZA 60015 | HOLLYWOOD 60059 | ZURICH 60065 | BUDAPEST 60179 | HONOLULU 60019 | HAWAII 60021 | ST. MORITZ 60023 | GRENADA 60135 | HELSINKI 60025 | MILAN 60029 | VANCOUVER 60027 | SANTORINI 60075 | MALDIVES 60033 | SAN FRANCISCO 60161 | |
|--|--------------------|----------------|------------------|---------------|-----------------|------------------|----------------|--------------------|-----------------|-------------------|-------------------|-----------------|---------------------|------------------|-------------------|----------------|--------------------|--------------------|-------------------|------------------------|---|
| REINFORCED BEAMS | | | | | | | | | | | | | | | | | | | | | |
| DROP STITCH | | | | | | | | | | | | | | | | | | | | | |
| POWER SAVING TIMER | • | • | • | • | • | • | • | • | • | • | • | • | • | • | • | • | • | • | • | • | • |
| WATER FILTER ACTIVATION | • | • | • | • | • | • | • | • | • | • | • | • | • | • | • | • | • | • | • | • | • |
| HEATING SYSTEM | • | • | • | • | • | • | • | • | • | • | • | • | • | • | • | • | • | • | • | • | • |
| LED LIGHTS | | | | | | | | • | | | | | | | | | | | • | • | • |
| APP REMOTE CONTROL | | | | | • | • | | | | • | | | • | | • | • | • | • | • | • | • |
| UNDERWATER VACUUM (60323) | • | • | • | • | • | • | • | • | • | • | • | • | • | • | • | • | • | • | • | • | • |
| RECHARGEABLE UNDERWATER VACUUM (60313) | • | • | • | • | • | • | • | • | • | • | • | • | • | • | • | • | • | • | • | • | • |
| PILLOW (60307) | • | • | • | • | • | • | • | • | • | • | • | • | • | • | • | • | • | • | • | • | • |
| PADDED PILLOW (60316) | • | • | • | • | • | • | • | • | • | • | • | • | • | • | • | • | • | • | • | • | • |
| SPA SEAT (60321) | • | • | • | • | • | • | • | • | • | • | • | • | • | • | • | • | • | • | • | • | • |
| SOOTHING WATERFALL (60322) | • | • | • | • | • | • | • | • | • | • | • | • | • | • | • | • | • | • | • | • | • |
| DRINK HOLDER (60306) | • | • | • | • | • | • | • | • | • | • | • | • | • | • | • | • | • | • | • | • | • |
| LED LIGHT (60303) | • | • | • | • | • | • | • | • | • | • | • | • | • | • | • | • | • | • | • | • | • |
| CANOPY (60304) | | • | • | • | • | • | • | • | • | • | • | • | • | • | • | • | • | • | • | • | • |
| DOVE (60305) | • | • | • | • | • | • | • | • | • | • | • | • | • | • | • | • | • | • | • | • | • |
| ALL IN ONE TOOL SET (60310) | • | • | • | • | • | • | • | • | • | • | • | • | • | • | • | • | • | • | • | • | • |
| FLOOR PROTECTOR (60309) | • | • | • | • | • | • | • | • | • | • | • | • | • | • | • | • | • | • | • | • | • |
| TEST STRIPS (58142) | • | • | • | • | • | • | • | • | • | • | • | • | • | • | • | • | • | • | • | • | • |
| FILTER CARTRIDGE (60311) | • | • | • | • | • | • | • | • | • | • | • | • | • | • | • | • | • | • | • | • | • |

SETUP & MAINTENANCE

WITH THE KEY TOOLS ALREADY INCLUDED, LAY-Z-SPA SETUP IS QUICK & EASY!

After finding a flat area for the spa, it's as easy as 1, 2, 3!

1. INFLATE the spa with the multi-function pump.
2. CONNECT the pump to the spa, and ensure all of the tubes are attached to the correct openings.
3. FILL the spa with water to the indicated level, and enjoy!

Also included with each spa is a chemical dispenser & filter cartridge to keep the water sparkling. Maintaining clean and healthy spa water is not just important for the user's experience, but it also extends the longevity of the spa.

Thanks to a new function available on all spas, the pump can also quickly and conveniently deflate the spa for transporting or storing.

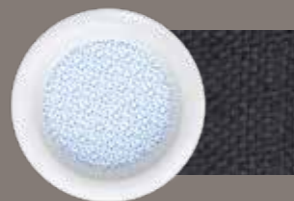


INDEX

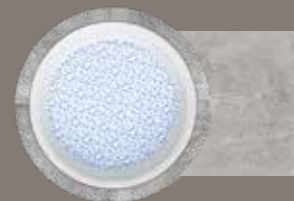
AIRJET™



ST. LUCIA
60037
pg 22-25



HAVANA
60035
pg 38-41



ZURICH
60065
pg 54-57



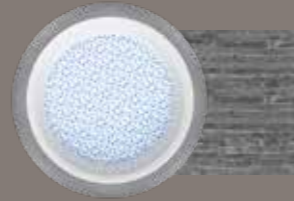
ST. MORITZ
60023
pg 70-73



MIAMI
60001
pg 26-29



BORACAY
60175
pg 42-45



BUDAPEST
60179
pg 58-61



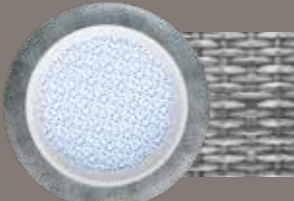
GRENADA
60135
pg 74-77



BAHAMAS
60005
pg 30-33



IBIZA
60015
pg 46-49



HONOLULU
60019
pg 62-65



HELSINKI
60025
pg 78-81



FIJI
60085
pg 34-37

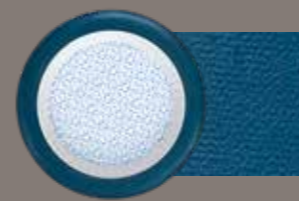


HOLLYWOOD
60059
pg 50-53



HAWAII
60021
pg 66-69

AIRJET PLUS™



MILAN
60029
pg 84-87



VANCOUVER
60027
pg 88-91

HYDROJET PRO™



SANTORINI
60075
pg 94-97



MALDIVES
60033
pg 98-101



SAN FRANCISCO
60161
pg 102-105



XTRAS



UNDERWATER VACUUM
60323 | pg 108



DRINK HOLDER
60306 | pg 113



RECHARGEABLE UNDERWATER VACUUM
60313 | pg 109



CANOPY
60304 | pg 114



PILLOW
60307 | pg 110



DOME
60305 | pg 115



PADDED PILLOW
60316 | pg 110



ALL IN ONE TOOL SET
60310 | pg 116



SPA SEAT
60321 | pg 111



FLOOR PROTECTOR
60309 | pg 117



SOOTHING LED WATERFALL
60322 | pg 112



POOL & SPA TEST STRIPS
58142 | pg 117



7-COLOR LED LIGHT
60303 | pg 113



FILTER CARTRIDGE (VI)
60311 | pg 117